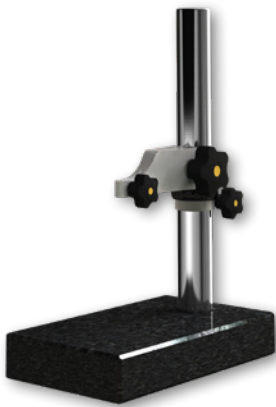


# Measuring stands

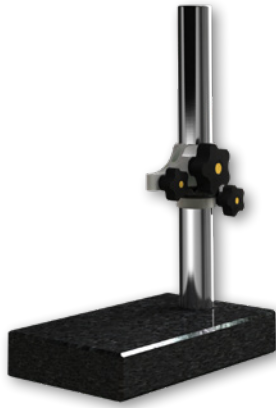
## TECHNICAL SPECIFICATIONS

### Series 808 stands for digital indicators and probes

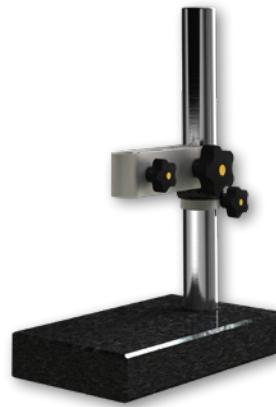
- Made at Sylvac in Switzerland
- Superior quality compared to the Asian tables generally found on the market
- Reinforced column  $\varnothing$  25 or 35 mm with precision measuring arm for excellent parallelism and high rigidity reducing the measuring error generated by the support.
- Clamping diameter 8 mm and 25 mm (for fixing S\_Dial PRO dial gauges)
- Ring for fine adjustment of the vertical position
- Grade 00 granite base



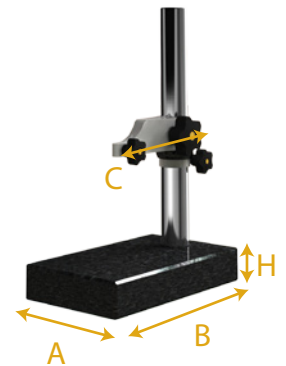
808-1206



808-1203



808-1202



		808-1206	808-1207	808-1202	808-1203	808-1201
Base		granit grade 00	granit grade 00	granit grade 00	granit grade 00	granit grade 00
Base dimensions AxBxH	mm	100X150X40	100X150X40	240x140x50	240x140x50	240x140x50
Central locking		---	---	---	---	---
Column	mm	Steel $\varnothing$ 25	Steel $\varnothing$ 35	Steel $\varnothing$ 35	Steel $\varnothing$ 35	Steel $\varnothing$ 35
Clamping dimension	mm	$\varnothing$ 8	$\varnothing$ 8	$\varnothing$ 25	$\varnothing$ 8	$\varnothing$ 8
Dist. Column.-meas. point. C	mm	70	70	115	70	115
Measuring range	mm	0 - 190	0 - 260	0 - 260	0 - 260	0 - 260
Total height	mm	270	340	340	340	340
Weight	kg	2.9	4.3	6.6	6.5	6.6
Fine adjustment		•	•	•	•	•

# CALIPERS

---

The 80s, another era, another way of living, thinking and, above all, working. It was then that the first Sylvac digital calipers were born, which revolutionised measurement, until then carried out exclusively with the help of mechanical verniers. The digital calipers brought more precision and greater ease of use. Over the years, our range has been enriched by the numerous models presented in this chapter.

## GENERAL CHARACTERISTICS :

- **Accuracy according to ISO13385-1**
- **Powered by lithium battery type CR2032**
- **Absolute measuring system S.I.S**
- **Automatic sleep and wake-up**
- **mm/inch conversion on all models**
- **Working temperature +5° to +40°C**



# Caliper

# S\_Cal EVO

## DESCRIPTION

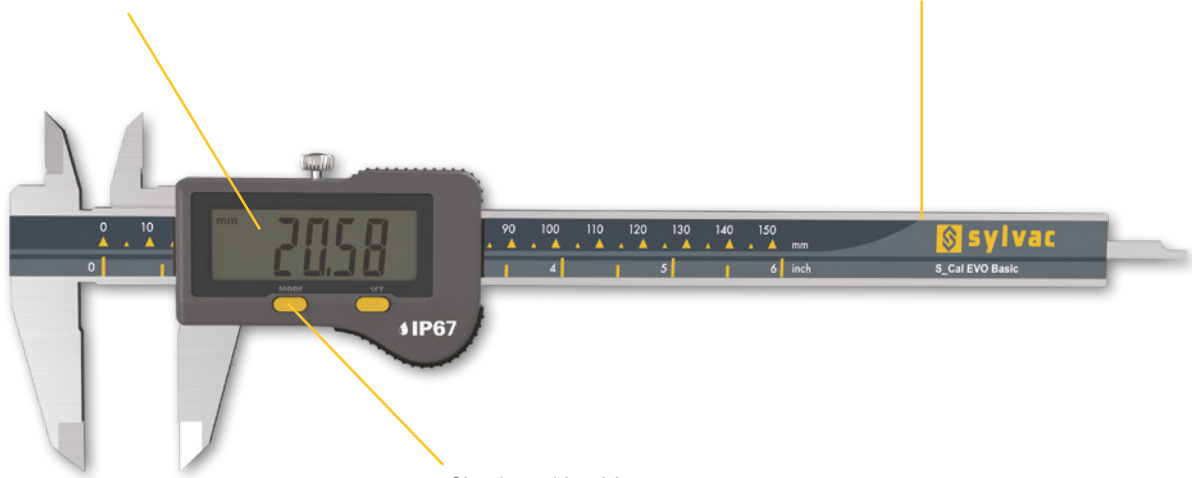
## BASIC

- High-quality, ergonomic calliper without data output
- 3.5 mm thick hardened and ground stainless steel frame
- New extra-large display unit with 11.5 mm high digits
- Memorising the home position even when the instrument is switched off
- Available in the following executions :
  - Measuring range 150 mm with rectangular depth rod
  - Measuring range 150 mm with cylindrical depth rod
  - Measuring range 200 mm with rectangular depth rod
  - Measuring range 300 mm without depth rod
- Protection class IP67
- Wheel available as an option

C

Digital display LCD,  
Height of digits 11.5 mm

Thickness of frame 3.5 mm



Simple and intuitive  
functions

## ISO 13385-1

**NO OUTPUT**

**SIS** Smart Inductive System

**WATER RESISTANT**

**IP67**

## Protection rating IP67 !

\* SIS description on page 5

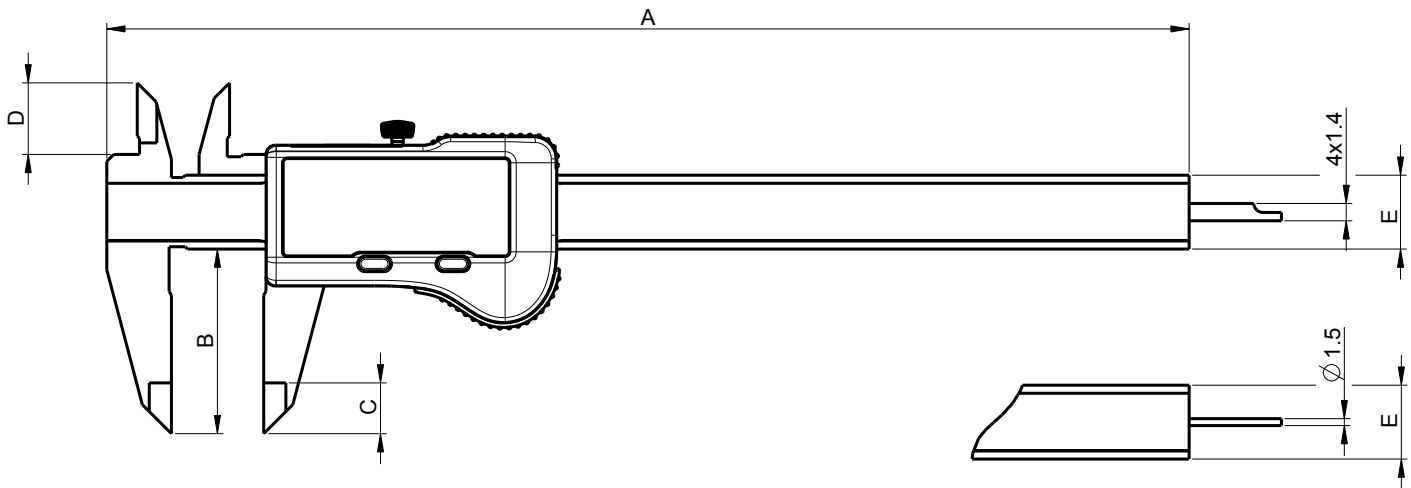


# Caliper

# S\_Cal EVO

## DIMENSIONAL DRAWING

## BASIC



## TECHNICAL SPECIFICATIONS

		810-1502	810-1507	810-1522	810-1532
Measuring range	mm	150	150	200	300
Max. Error G - external measurements	µm	20 <sup>1)</sup>	20 <sup>1)</sup>	30 <sup>1)</sup>	30 <sup>1)</sup>
Max. Error - internal measurements	µm	20-30 <sup>2)</sup>	20-30 <sup>2)</sup>	30 <sup>2)</sup>	40 <sup>2)</sup>
A	mm	234.5	234.5	290.5	388
B	mm	40	40	50	64
C	mm	11	11	14	14
D	mm	16	16	19	19
E	mm	16 x 3.5	16 x 3.5	16 x 3.5	16 x 4
Depth rod	mm	— 4 x 1.4	∅ 1.5	— 4 x 1.4	---
Protection rating according to IEC 60529	IP67				
Functions	Zero setting, Preset (max 999.99), mm/inch, Hold				
Smart Inductive Sensor	●				

<sup>1)</sup> 0-150 mm : 20 µm / ISO13385-1  
> 150 mm : 30 µm / ISO13385-1

<sup>2)</sup> ∅4-25 : 20 µm / ISO13385-1  
∅26-150 : 30 µm / ISO13385-1  
>∅150 : 40 µm / ISO13385-1





# Caliper

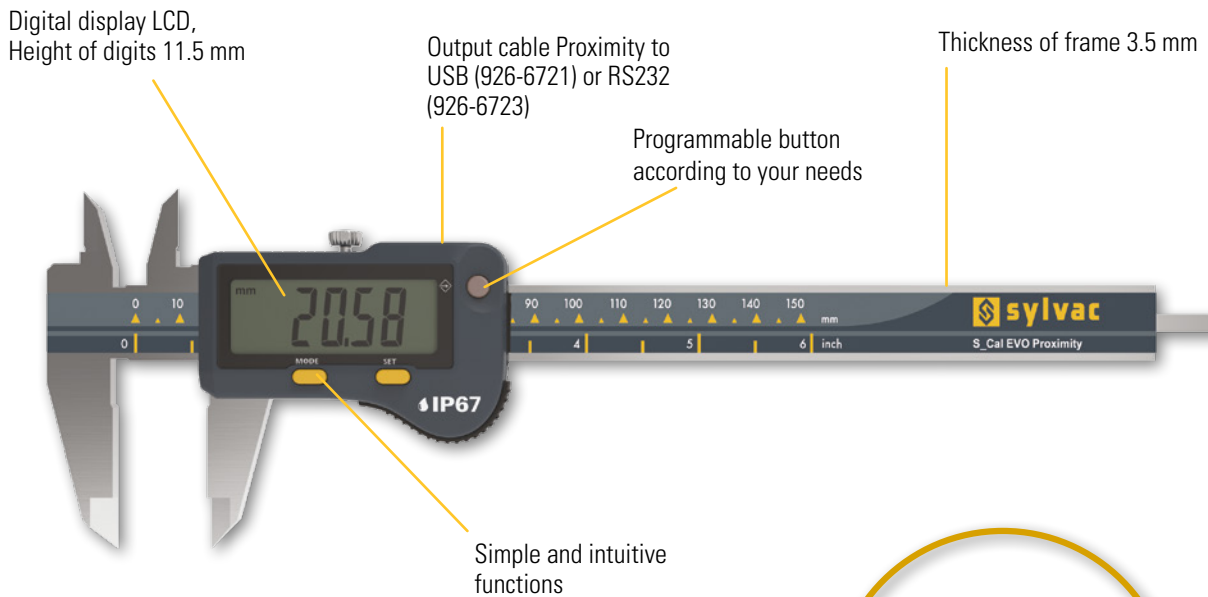
# S\_Cal EVO

## DESCRIPTION

## PROXIMITY

- High-quality ergonomic caliper with Proximity data output
- 3.5 mm thick hardened and ground stainless steel pole
- New extra-large display unit with 11.5 mm high digits
- Additional button with selectable favourite function
- Memorising the home position even when the instrument is switched off
- Available in the following executions :
  - Measuring range 150 mm with rectangular depth rod
  - Measuring range 150 mm with cylindrical depth rod
  - Measuring range 200 mm with rectangular depth rod
  - Measuring range 300 mm without depth rod
- Protection class IP67
- Wheel available as an option

C



## ISO 13385-1



**Proximity cable**

## Proximity version

\* SIS description on page 5

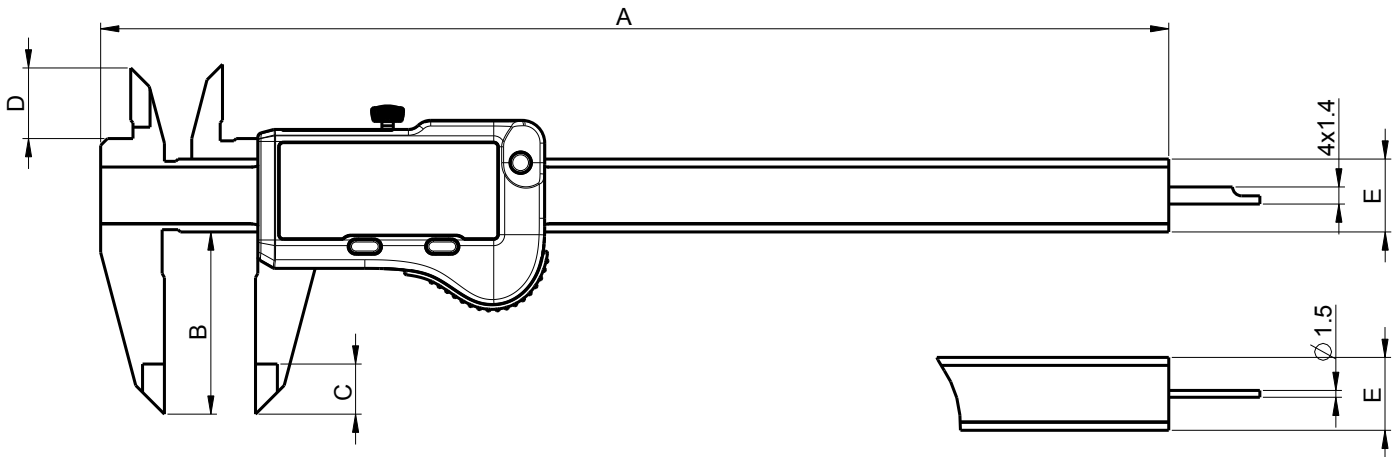


# Caliper

# S\_Cal EVO

## DIMENSIONAL DRAWING

## PROXIMITY



## TECHNICAL SPECIFICATIONS

		810-1702	810-1707	810-1722	810-1732
Measuring range	mm	150	150	200	300
Max. Error G - external measurements	µm	20 <sup>1)</sup>	20 <sup>1)</sup>	30 <sup>1)</sup>	30 <sup>1)</sup>
Max. Error - internal measurements	µm	20-30 <sup>2)</sup>	20-30 <sup>2)</sup>	30 <sup>2)</sup>	40 <sup>2)</sup>
A	mm	234.5	234.5	290.5	388
B	mm	40	40	50	64
C	mm	11	11	14	14
D	mm	16	16	19	19
E	mm	16 x 3.5	16 x 3.5	16 x 3.5	16 x 4
Depth rod	mm	▬ 4 x 1.4	∅ 1.5	▬ 4 x 1.4	---
Protection rating according to IEC 60529		IP67			
Functions		Zero setting, Preset (max 999.99), mm/inch, Hold			
Output data		USB / RS232 <sup>3)</sup>			
Smart Inductive Sensor		●			

<sup>1)</sup> 0-150 mm : 20 µm / ISO13385-1  
 > 150 mm : 30 µm / ISO13385-1

<sup>2)</sup> ∅4-25 : 20 µm / ISO13385-1  
 ∅26-150 : 30 µm / ISO13385-1  
 >∅150 : 40 µm / ISO13385-1

<sup>3)</sup> see cables chapter



# Micron Caliper

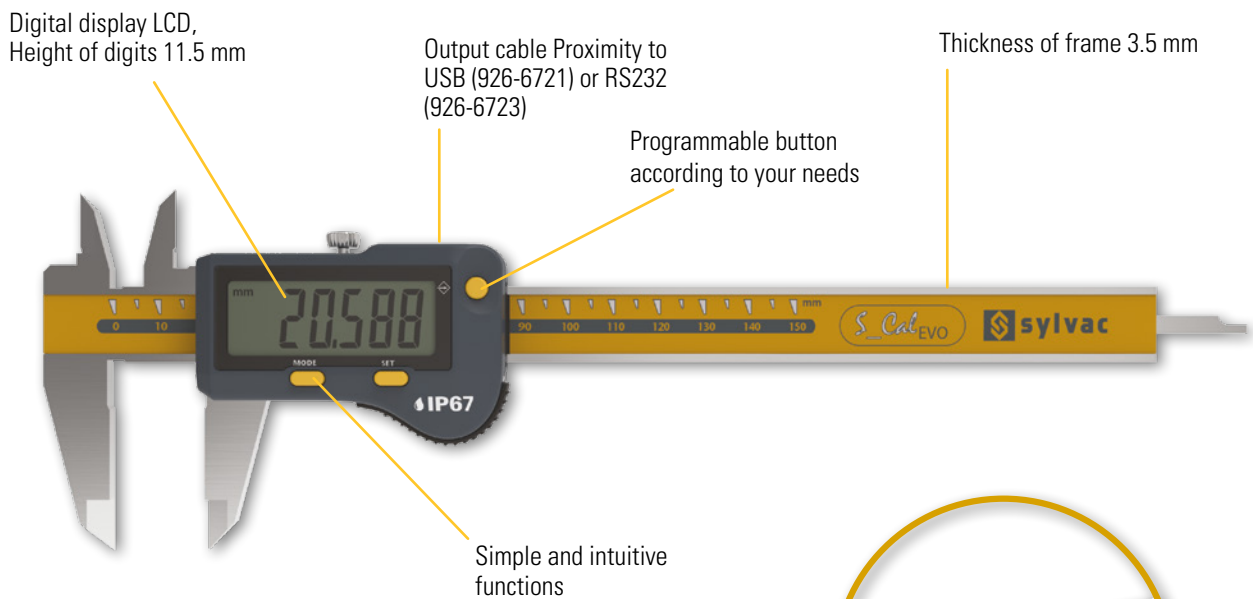
# S\_Cal EVO

## DESCRIPTION

## PROXIMITY MICRON

- High quality ergonomic caliper with micron display and Proximity data output
- Hardened, finely ground stainless steel frame, thickness 3.5 mm
- New extra-large display unit, resolution 0.001 mm, digits height 11.5 mm
- Preset function to measure by comparison
- Additional button with selectable favourite function
- Memorising the home position even when the instrument is switched off
- Available in the following executions :
  - Measuring range 150 mm with rectangular depth rod
  - Measuring range 150 mm with cylindrical depth rod
- Protection class IP67
- Delivered with calibration certificate
- Wheel available as an option

C



**ISO 13385-1**



**Proximity cable**

## Version Proximity micron

\* SIS description on page 5

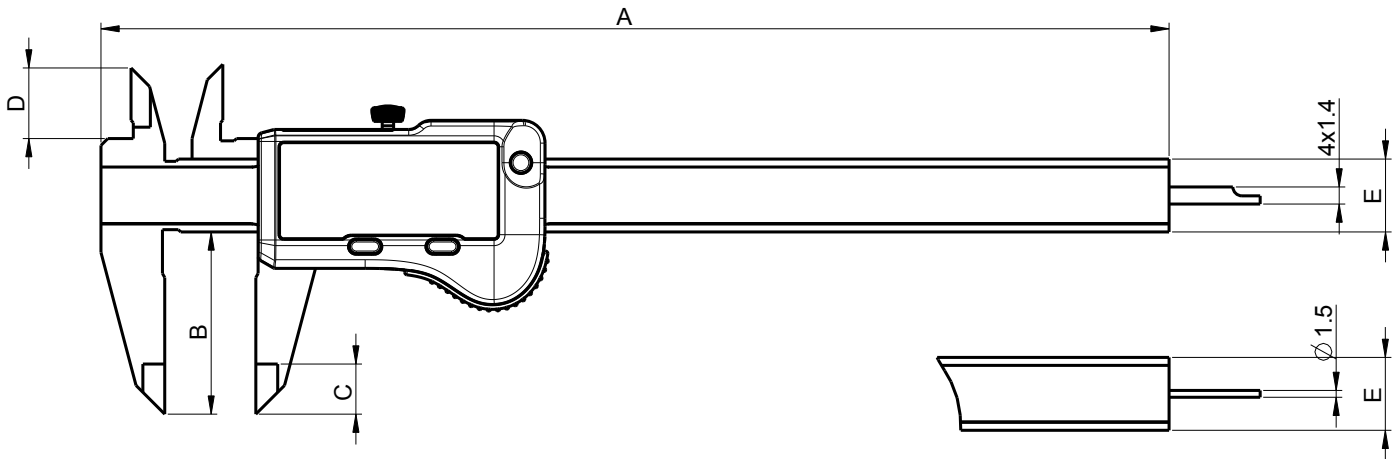


# Micron Caliper

# S\_Cal EVO

## DIMENSIONAL DRAWING

## PROXIMITY MICRON



## TECHNICAL SPECIFICATIONS

		810-9702	810-9707
Measuring range	mm	150	150
Max. Error G - external measurements	µm	20 <sup>1)</sup>	20 <sup>1)</sup>
Max. Error - internal measurements	µm	20-30 <sup>2)</sup>	20-30 <sup>2)</sup>
Resolution	mm	0.001	
A	mm	234.5	234.5
B	mm	40	40
C	mm	11	11
D	mm	16	16
E	mm	16 x 3.5	16 x 3.5
Depth rod	mm	■ 4 x 1.4	∅1.5
Functions		Zero setting, Preset (max 99.999), mm/inch, Hold	
Protection rating according to IEC 60529		IP67	
Output data		USB / RS232 <sup>3)</sup>	
Smart Inductive Sensor		●	

<sup>1)</sup> 0-150 mm : 20 µm / ISO13385-1  
> 150 mm : 30 µm / ISO13385-1

<sup>2)</sup> ∅4-25 : 20 µm / ISO13385-1  
∅26-150 : 30 µm / ISO13385-1

<sup>3)</sup> see cables chapter



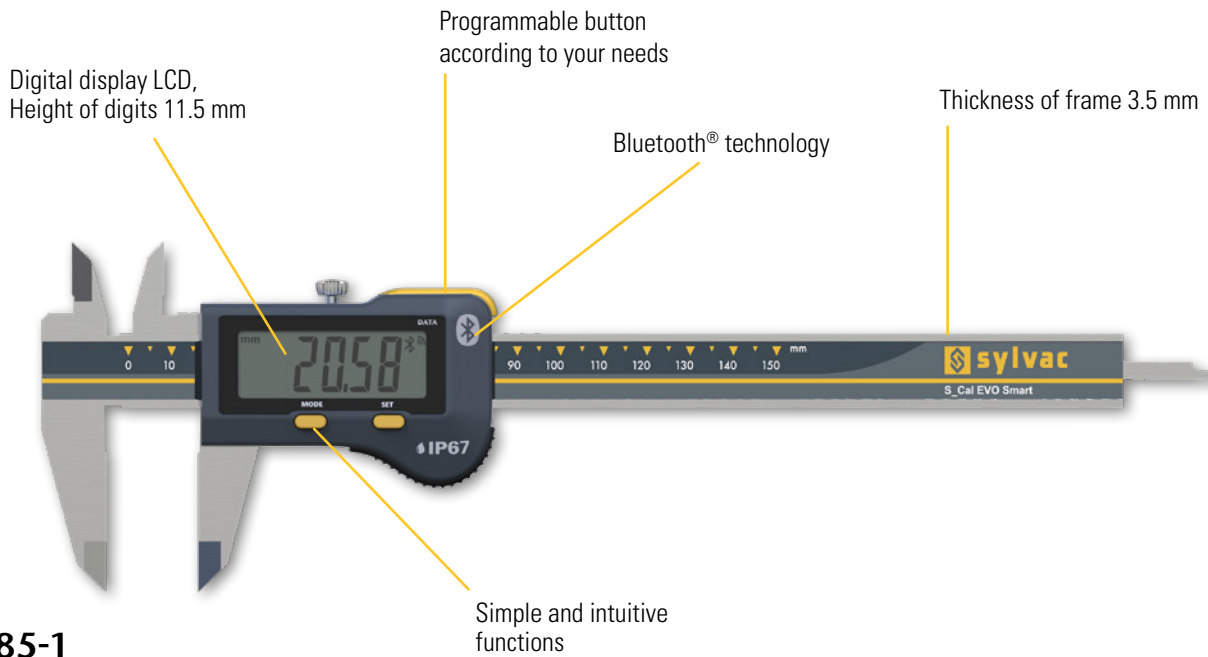
# Caliper

# S\_Cal EVO

## DESCRIPTION

SMART

- High-quality ergonomic caliper with integrated Bluetooth® system
- 3.5 mm thick hardened and ground stainless steel frame
- New extra-large display unit with 11.5 mm high digits
- Convenient push button for sending data that can also be programmed with another function
- Memorising the home position even when the instrument is switched off
- Available in the following executions :
  - Measuring range 150 mm with rectangular depth rod
  - Measuring range 150 mm with cylindrical depth rod
  - Measuring range 200 mm with rectangular depth rod
  - Measuring range 300 mm without depth rod
- Protection class IP67
- Wheel available as an option



ISO 13385-1



**Bluetooth® wireless technology and IP67 protection rating!**



\* SIS description on page 5

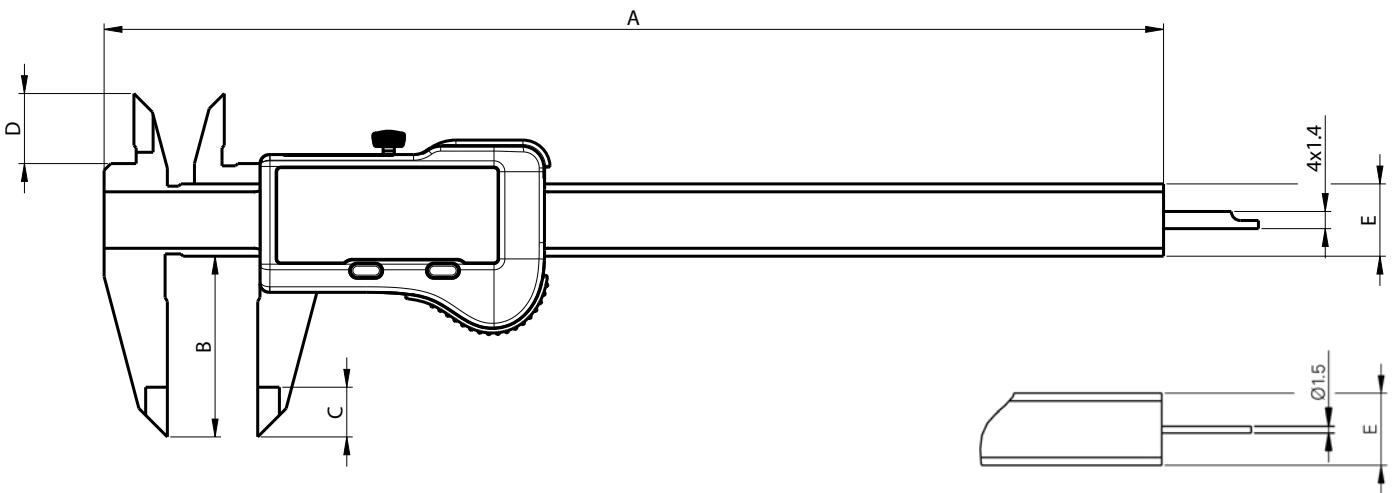


# Caliper

# S\_Cal EVO

## DIMENSIONAL DRAWING

## SMART



## TECHNICAL SPECIFICATIONS

		810-1506	810-1516	810-1526	810-1536
Measuring range	mm	150	150	200	300
Max. Error G - external measurements	µm	20 <sup>1)</sup>	20 <sup>1)</sup>	30 <sup>1)</sup>	30 <sup>1)</sup>
Max. Error - internal measurements	µm	20-30 <sup>2)</sup>	20-30 <sup>2)</sup>	30 <sup>2)</sup>	40 <sup>2)</sup>
A	mm	234.5	234.5	290.5	388
B	mm	40	40	50	64
C	mm	11	11	14	14
D	mm	16	16	19	19
E	mm	16 x 3.5	16 x 3.5	16 x 3.5	16 x 4
Depth rod	mm	▬ 4 x 1.4	Ø 1.5	▬ 4 x 1.4	---
Protection rating according to IEC 60529	IP67				
Output data	Bluetooth® wireless technology*				
Functions	Zero setting, Preset (max 999.99), mm/inch, Hold, Data				
Smart Inductive Sensor	●				

<sup>1)</sup> 0-150 mm : 20 µm / ISO13385-1  
 > 150 mm : 30 µm / ISO13385-1

<sup>2)</sup> Ø4-25 : 20 µm / ISO13385-1  
 Ø26-150 : 30 µm / ISO13385-1  
 >Ø150 : 40 µm / ISO13385-1

\* Up to 8 instruments connected per dongle #981-7100



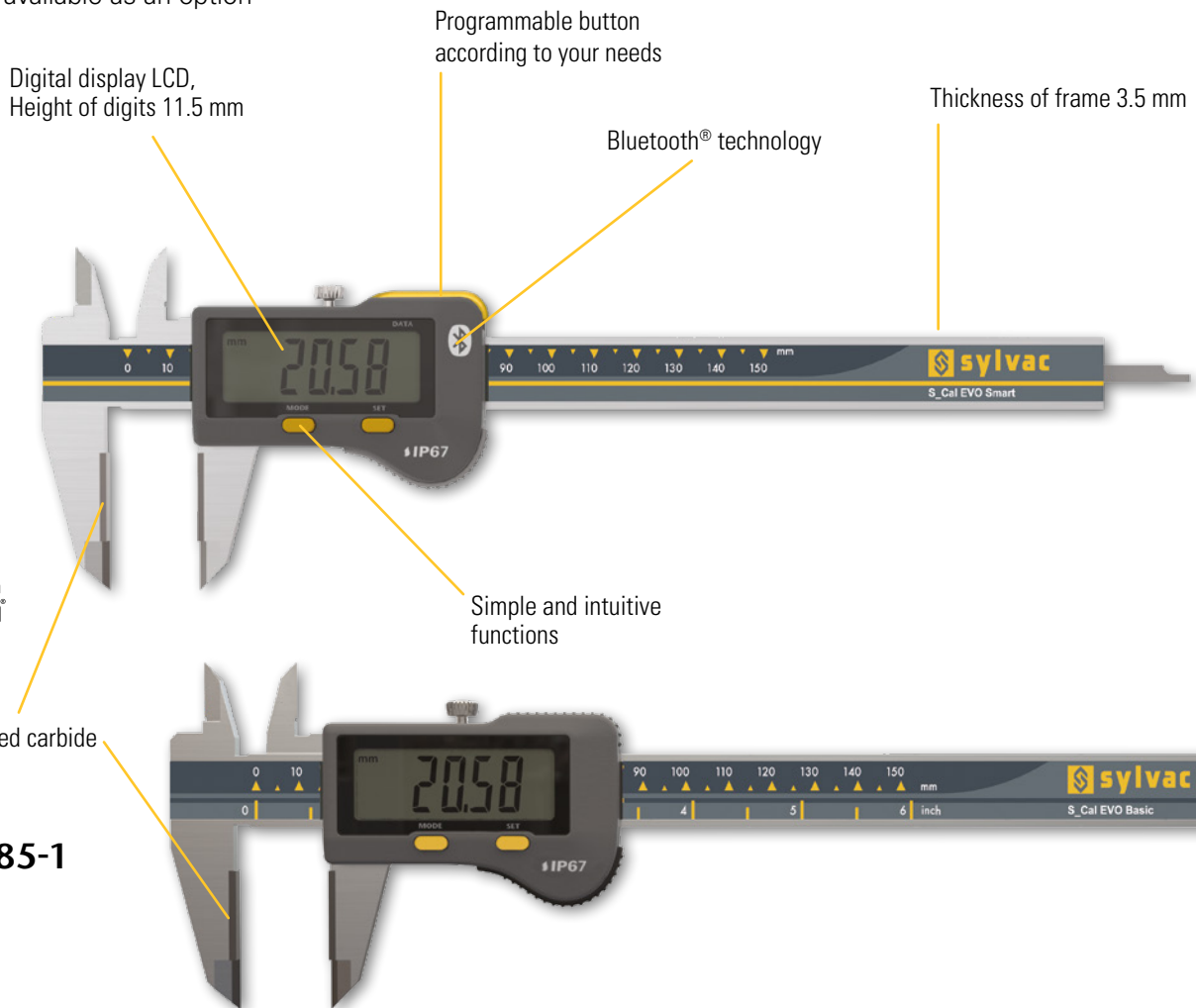
# Caliper

# S\_Cal EVO

## DESCRIPTION

CARBIDE

- High-quality ergonomic caliper with integrated Bluetooth® system
- Outer jaws featuring soldered carbide pads
- 3.5 mm thick hardened and ground stainless steel frame
- New extra-large display unit with 11.5 mm high digits
- Convenient push button for sending data that can also be programmed with another function
- Memorising the home position even when the instrument is switched off
- Available in the following executions :
  - Measuring range 150 mm with rectangular depth rod
  - Measuring range 150 mm with cylindrical depth rod
  - Measuring range 200 mm with rectangular depth rod
- Protection class IP67
- Wheel available as an option



ISO 13385-1

**SIS** Smart Inductive System



**IP67**

\* SIS description on page 5

**Outer jaws featuring soldered carbide pads**

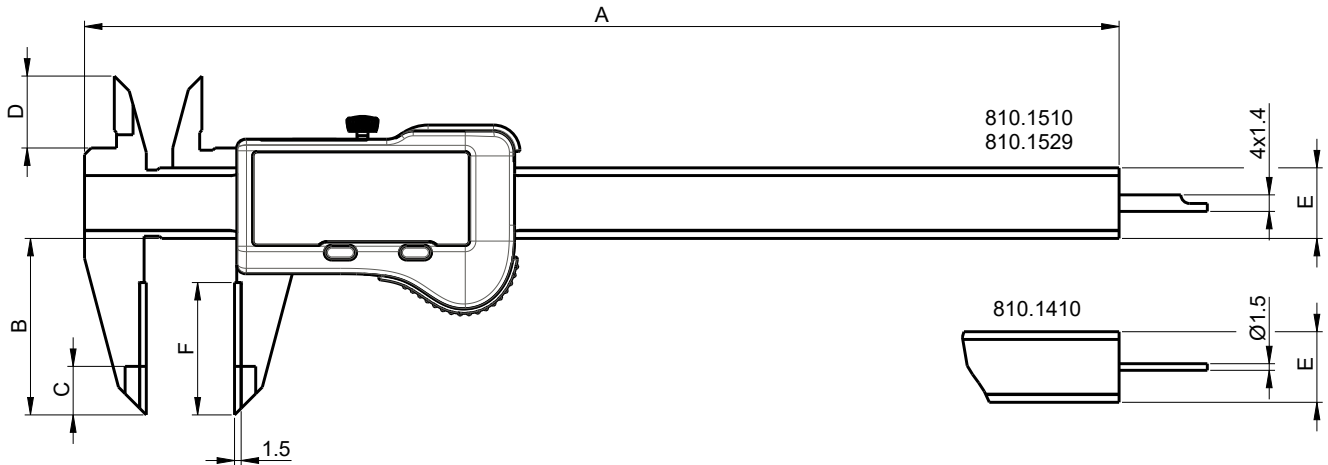


# Caliper

# S\_Cal EVO

## DIMENSIONAL DRAWING

## CARBIDE



## TECHNICAL SPECIFICATIONS

		810-1410	810-1510	810-1529
Measuring range	mm	150	150	200
Max. Error G - external measurements	$\mu\text{m}$	20 <sup>1)</sup>	20 <sup>1)</sup>	30 <sup>1)</sup>
Max. Error - internal measurements	$\mu\text{m}$	20-30 <sup>2)</sup>	20-30 <sup>2)</sup>	30 <sup>2)</sup>
A	mm	234.5	234.5	290
B	mm	40	40	50
C	mm	11	11	14
D	mm	16	16	19
E	mm	16 x 3.5	16 x 3.5	16 x 3.5
F	mm	30	30	36
Depth rod	mm	$\varnothing 1.5$	4 x 1.4	4 x 1.4
Protection rating according to IEC 60529		IP67	IP67	IP67
Output data		-	Bluetooth® wireless technology*	
Functions		Zero setting, Preset (max 999.99), mm/inch, Hold, Data		
Smart Inductive Sensor		●		

<sup>1)</sup> 0-150 mm : 20  $\mu\text{m}$  / ISO13385-1

<sup>2)</sup>  $\varnothing 4-25$  : 20  $\mu\text{m}$  / ISO13385-1  
 $\varnothing 26-150$  : 30  $\mu\text{m}$  / ISO13385-1

\* Up to 8 instruments connected per dongle #981-7100





# Micron Caliper

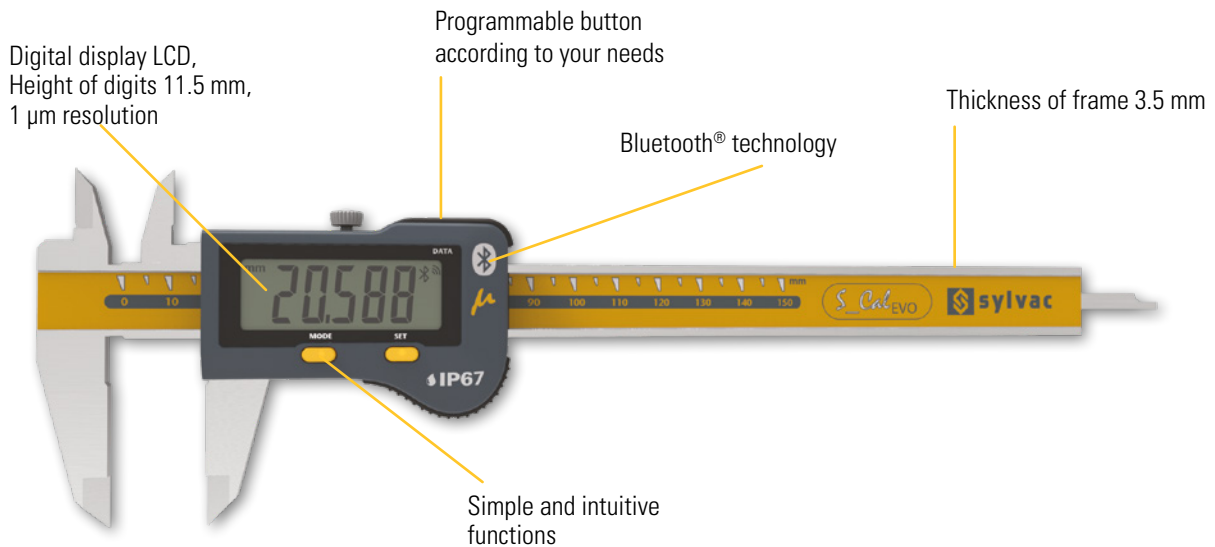
# S\_Cal EVO

## DESCRIPTION

## SMART MICRON

- High-quality ergonomic caliper with micron display and integrated Bluetooth® system
- Hardened and finely ground stainless steel frame, thickness 3.5 mm
- New extra-large display unit, resolution 0.001 mm, digits height 11.5 mm
- Preset function to measure by comparison
- Convenient push button for sending data that can also be programmed with another function
- Memorising the home position even when the instrument is switched off
- Available in the following executions :
  - Measuring range 150 mm with rectangular depth rod
  - Measuring range 150 mm with cylindrical depth rod
- Protection class IP67
- Delivered with calibration certificate
- Wheel available as an option

C



## ISO 13385-1



\* SIS description on page 5



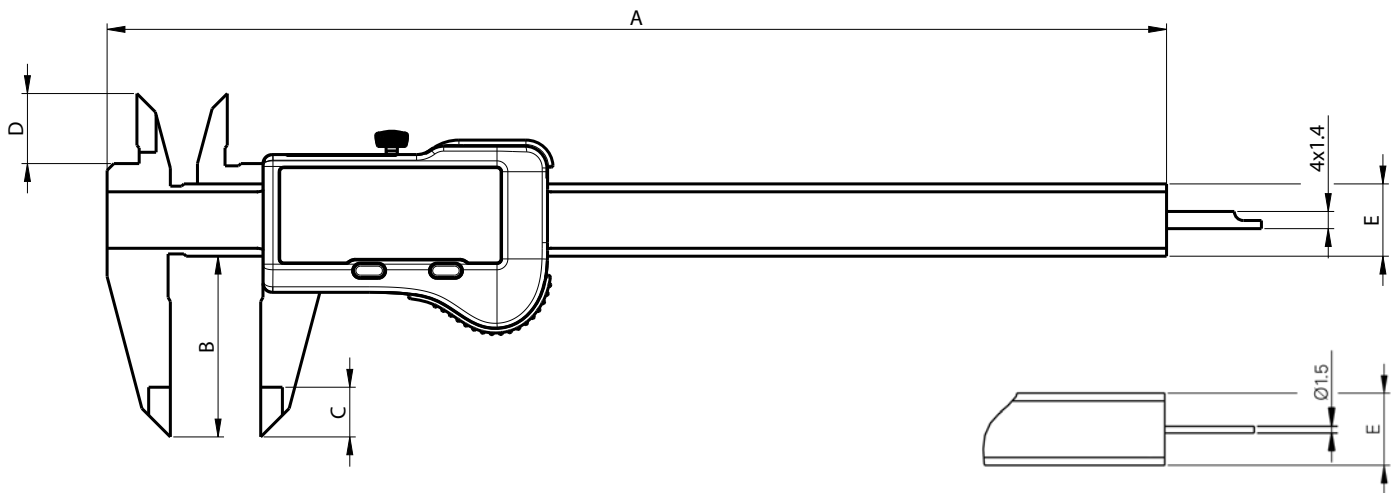


# Micron Caliper

# S\_Cal EVO

## DIMENSIONAL DRAWING

## SMART MICRON



## TECHNICAL SPECIFICATIONS

		810-9506	810-9516
Measuring range	mm	150	150
Max. Error G - external measurements	µm	20 <sup>1)</sup>	20 <sup>1)</sup>
Max. Error - internal measurements	µm	20-30 <sup>2)</sup>	20-30 <sup>2)</sup>
Resolution	mm	0.001	
A	mm	234.5	234.5
B	mm	40	40
C	mm	11	11
D	mm	16	16
E	mm	16 x 3.5	16 x 3.5
Depth rod	mm	4 x 1.4	Ø 1.5
Protection rating according to IEC 60529		IP67	IP67
Output data		Bluetooth® wireless technology*	
Functions		Zero setting, Preset (max 999.99), mm/inch, Hold, Data	
Smart Inductive Sensor		●	

<sup>1)</sup> 0-150 mm : 20 µm / ISO13385-1  
> 150 mm : 30 µm / ISO13385-1

<sup>2)</sup> Ø4-25 : 20 µm / ISO13385-1  
Ø26-150 : 30 µm / ISO13385-1

\* Up to 8 instruments connected per dongle #981-7100



# Special caliper

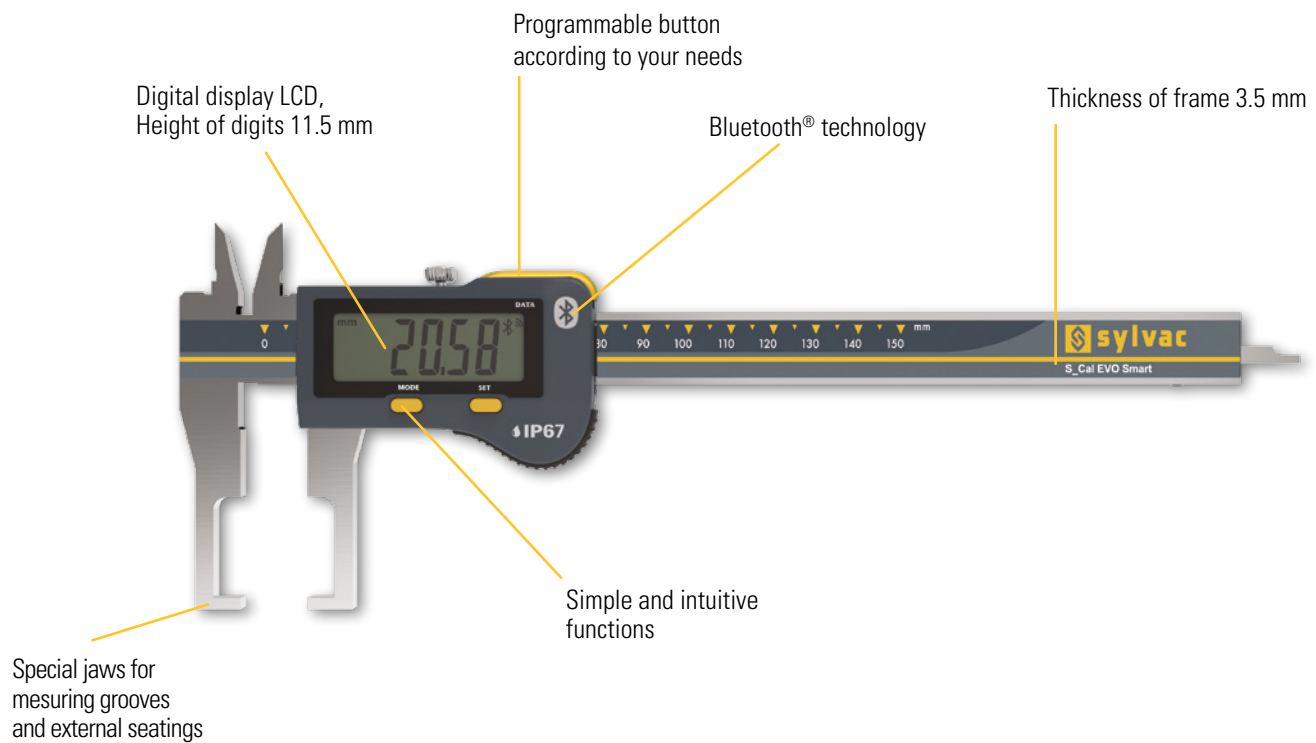
# S\_Cal EVO

## DESCRIPTION

## SMART EXTERNAL GROOVE

- High-quality, ergonomic caliper with integrated Bluetooth® system
- Model for the measurement of external grooves from 2.6 mm wide
- 3.5 mm thick hardened and ground stainless steel frame
- New extra-large display unit with 11.5 mm high digits
- Convenient push button for sending data that can also be programmed with another function
- Memorising the home position even when the instrument is switched off
- Measuring range 150 mm with rectangular depth rod
- Protection class IP67
- Wheel available as an option

C



## ISO 13385-1



\* SIS description on page 5

## For measuring grooves and external seatings

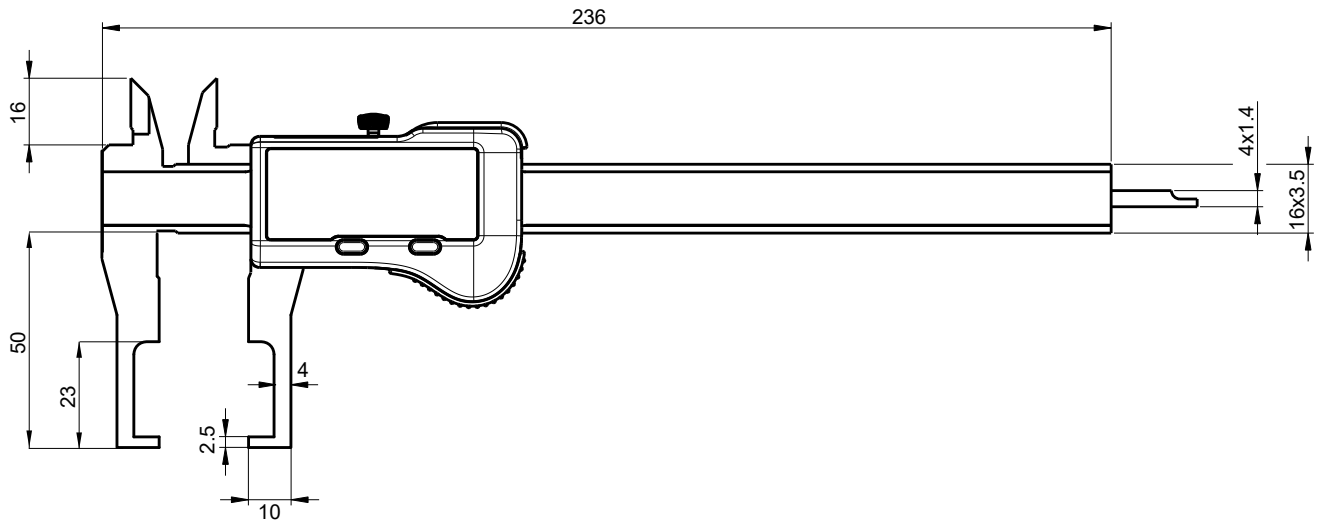


# Special caliper

# S\_Cal EVO

## DIMENSIONAL DRAWING

## SMART EXTERNAL GROOVE



## TECHNICAL SPECIFICATIONS

		810-1602
Measuring range	mm	150
Max. Error G - external measurements	µm	20 <sup>1)</sup>
Max. Error - internal measurements	µm	20-30 <sup>2)</sup>
Depth rod	mm	4 x 1.4
Protection rating according to IEC 60529		IP67
Output data		Bluetooth® wireless technology*
Functions		Zero setting, Preset (max 999.99), mm/inch, Hold, Data
Smart Inductive Sensor		●

<sup>1)</sup> 0-150 mm : 20 µm / ISO13385-1

<sup>2)</sup> Ø4-25 : 20 µm / ISO13385-1  
Ø26-150 : 30 µm / ISO13385-1

**\* Up to 8 instruments connected per dongle #981-7100**



# Special caliper

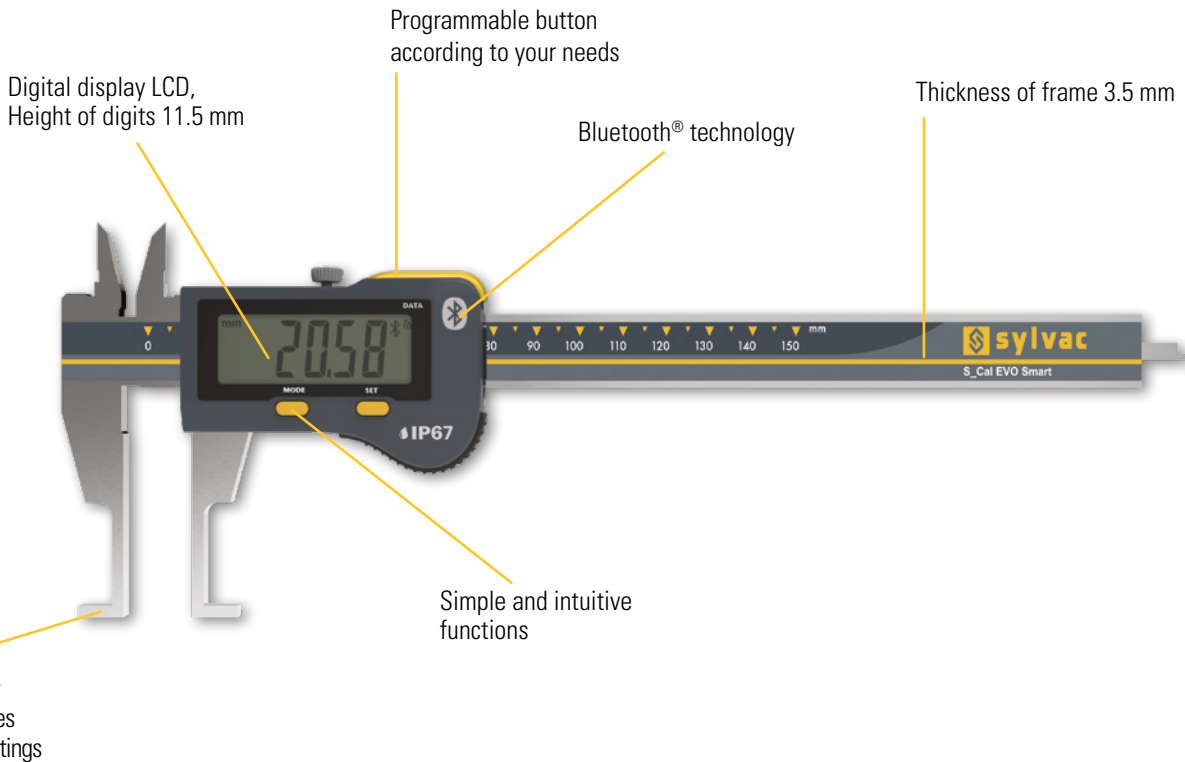
# S\_Cal EVO

## DESCRIPTION

## SMART INTERNAL GROOVE

- High-quality, ergonomic caliper with integrated Bluetooth® system
- Model for the measurement of internal grooves from 2.6mm width
- 3.5 mm thick hardened and ground stainless steel frame
- New extra-large display unit with 11.5 mm high digits
- Convenient push button for sending data that can also be programmed with another function
- Memorising the home position even when the instrument is switched off
- Measuring range 150 mm with rectangular depth rod
- Protection class IP67
- Wheel available as an option

C



## ISO 13385-1



\* SIS description on page 5

## For measuring grooves and internal seatings

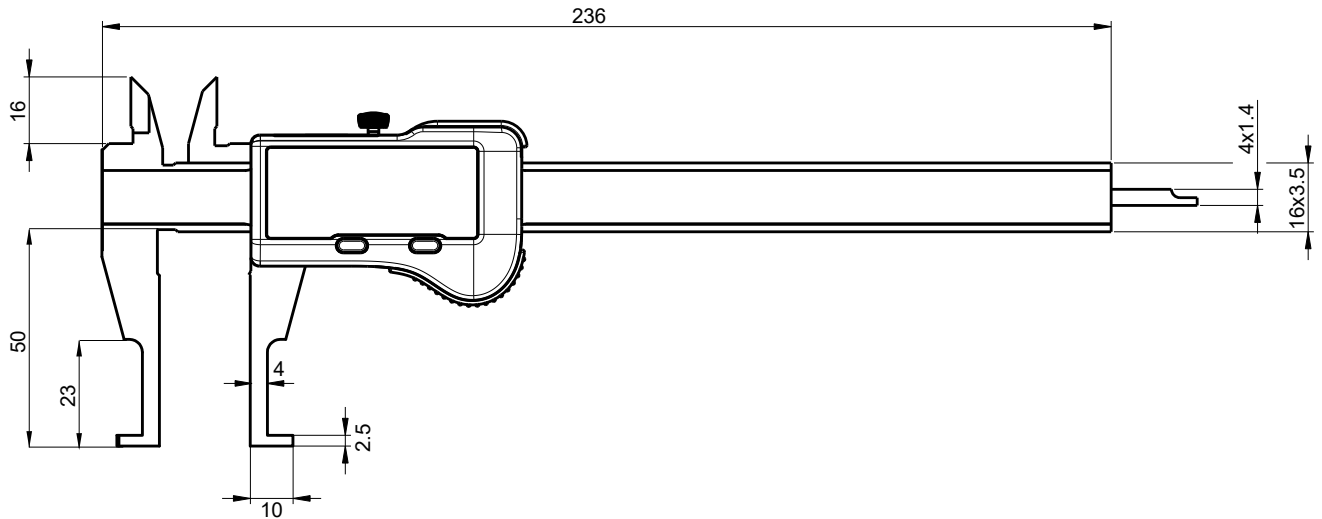


# Special caliper

# S\_Cal EVO

## DIMENSIONAL DRAWING

## SMART INTERNAL GROOVE



C

## TECHNICAL SPECIFICATIONS

		810-1600
Measuring range	mm	150
Max. Error G - external measurements	µm	20 <sup>1)</sup>
Max. Error - internal measurements	µm	20-30 <sup>2)</sup>
Depth rod	mm	4 x 1.4
Protection rating according to IEC 60529		IP67
Output data		Bluetooth® wireless technology*
Functions		Zero setting, Preset (max 999.99), mm/inch, Hold, Data
Smart Inductive Sensor		●

<sup>1)</sup> 0-150 mm : 20 µm / ISO13385-1

<sup>2)</sup> Ø4-25 : 20 µm / ISO13385-1  
Ø26-150 : 30 µm / ISO13385-1

**\* Up to 8 instruments connected per dongle #981-7100**



# Special caliper

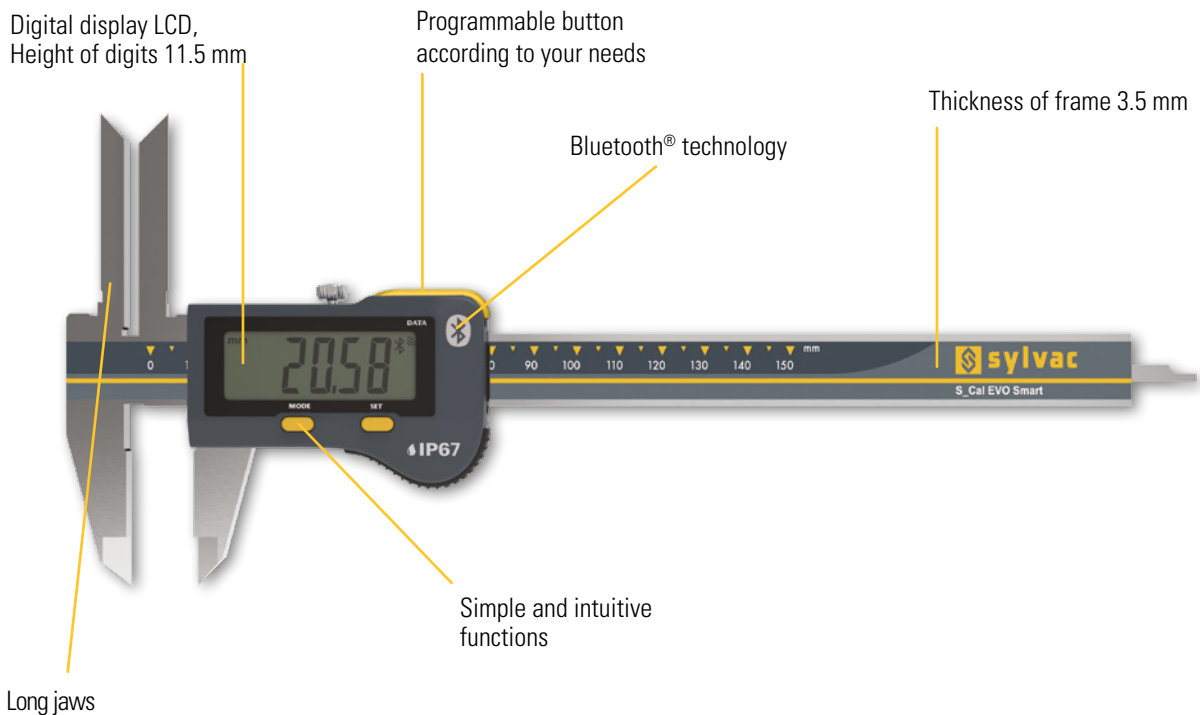
# S\_Cal EVO

## DESCRIPTION

## SMART DEEP MEASUREMENT

- High-quality, ergonomic caliper with integrated Bluetooth® system
- Model with long 45 mm jaws for deep internal measurements
- 3.5 mm thick hardened and ground stainless steel frame
- New extra-large display unit with 11.5 mm high digits
- Convenient push button for sending data that can also be programmed with another function
- Memorising the home position even when the instrument is switched off
- Measuring range 150 mm with rectangular depth rod
- Protection class IP67
- Wheel available as an option

C



## ISO 13385-1



\* SIS description on page 5

## Long internal jaws for deep measurements

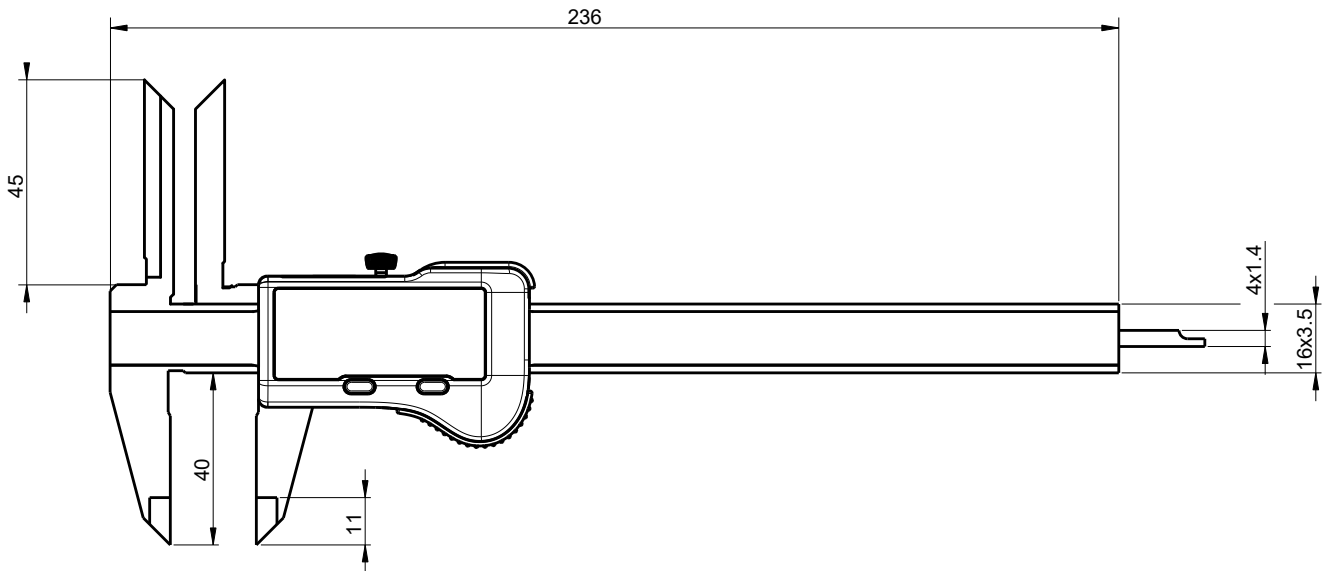


# Special caliper

# S\_Cal EVO

## DIMENSIONAL DRAWING

## SMART DEEP MEASUREMENT



C

## TECHNICAL SPECIFICATIONS

		810-1603
Measuring range	mm	150
Max. Error G - external measurements	µm	20 <sup>1)</sup>
Max. Error - internal measurements	µm	20-30 <sup>2)</sup>
Depth rod	mm	— 4 x 1.4
Protection rating according to IEC 60529		IP67
Output data		Bluetooth® wireless technology*
Functions		Zero setting, Preset (max 999.99), mm/inch, Hold, Data
Smart Inductive Sensor		●

<sup>1)</sup> 0-150 mm : 20 µm / ISO13385-1

<sup>2)</sup> Ø4-25 : 20 µm / ISO13385-1  
Ø26-150 : 30 µm / ISO13385-1

**\* Up to 8 instruments connected per dongle #981-7100**





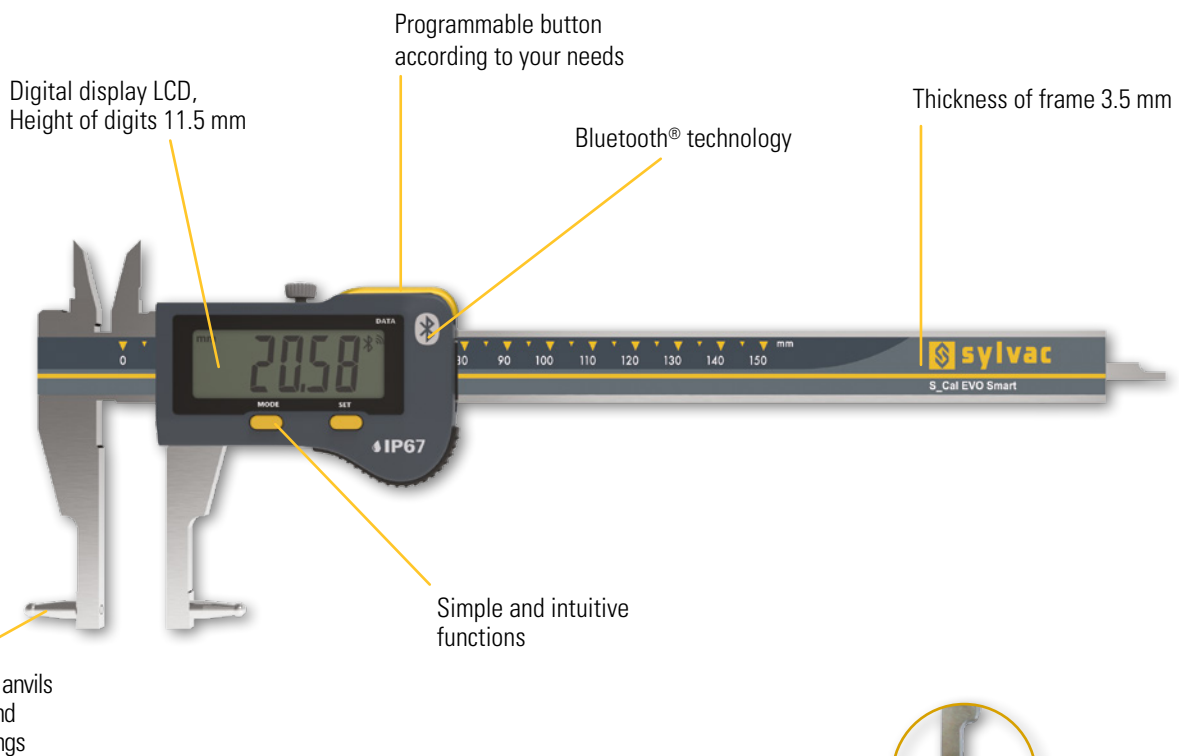
# Special caliper

# S\_Cal EVO

## DESCRIPTION

## SMART POINTS JAWS

- High-quality, ergonomic caliper with integrated Bluetooth® system
- Equipped with interchangeable M2.5 keys with hard metal ball Ø2.5 mm, for all kinds of internal measurements from 34 mm with these keys.
- 3.5 mm thick hardened and ground stainless steel frame
- New extra-large display unit with 11.5 mm high digits
- Convenient push button for sending data that can also be programmed with another function
- Memorising the original position even when the instrument is switched off
- Measuring range 150 mm with rectangular depth rod
- Protection class IP67
- Wheel available as an option



**ISO 13385-1**



**SIS** Smart Inductive System



**IP67**

\* SIS description on page 5



M2.5

## Interchangeable anvils

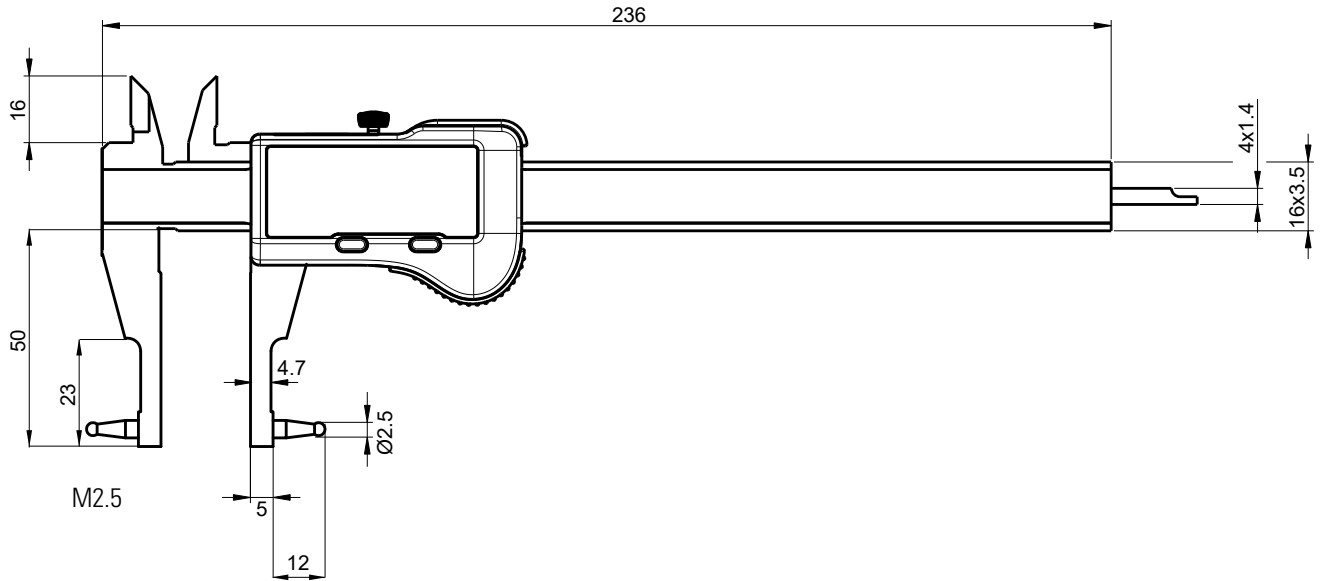


# Special caliper

# S\_Cal EVO

## DIMENSIONAL DRAWING

## SMART POINTS JAWS



## TECHNICAL SPECIFICATIONS

		810-1601
Measuring range	mm	150
Max. Error G - external measurements	µm	20 <sup>1)</sup>
Max. Error - internal measurements	µm	20-30 <sup>2)</sup>
Depth rod	mm	— 4 x 1.4
Protection rating according to IEC 60529		IP67
Output data		Bluetooth® wireless technology*
Functions		Zero setting, Preset (max 999.99), mm/inch, Hold, Data
Smart Inductive Sensor		●

<sup>1)</sup> 0-150 mm : 20 µm / ISO13385-1

<sup>2)</sup> Ø4-25 : 20 µm / ISO13385-1  
Ø26-150 : 30 µm / ISO13385-1

**\* Up to 8 instruments connected per dongle #981-7100**



Partkey to screw/unscrew the anvils



# Caliper mid size

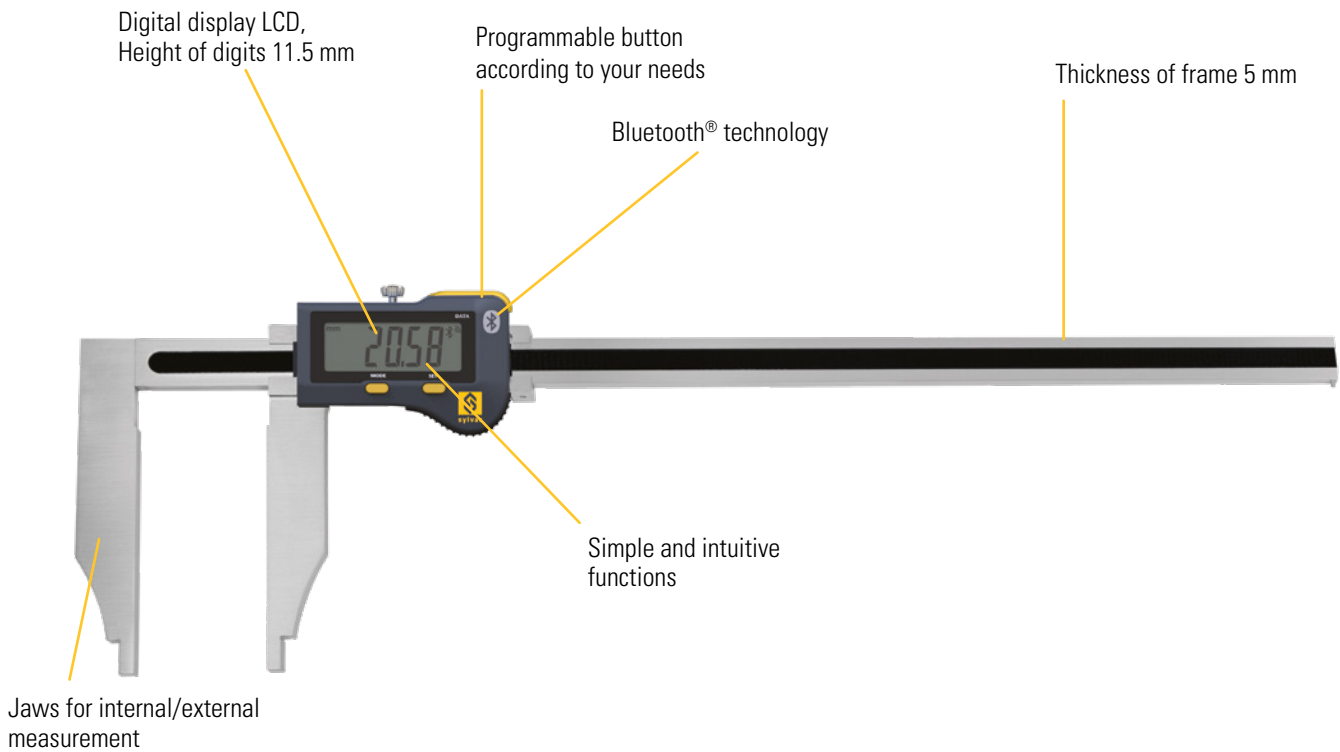
# S\_Cal EVO Form E

## DESCRIPTION

## MID SIZE CALIPER R5

- High-quality, ergonomic caliper with integrated Bluetooth® system
- Equipped with long, 100 mm long beaks with a clear end, enabling both external and internal dimensions to be measured from 10.1 mm upwards.
- Hardened and ground stainless steel rod 5 mm thick
- New extra-large display unit with 11.5 mm high digits
- Convenient push button for sending data that can also be programmed with another function
- Memorising the home position even when the instrument is switched off
- Measuring range 300 mm
- Protection class IP67

C



## ISO 13385-1



## Mid size caliper



\* SIS description on page 5

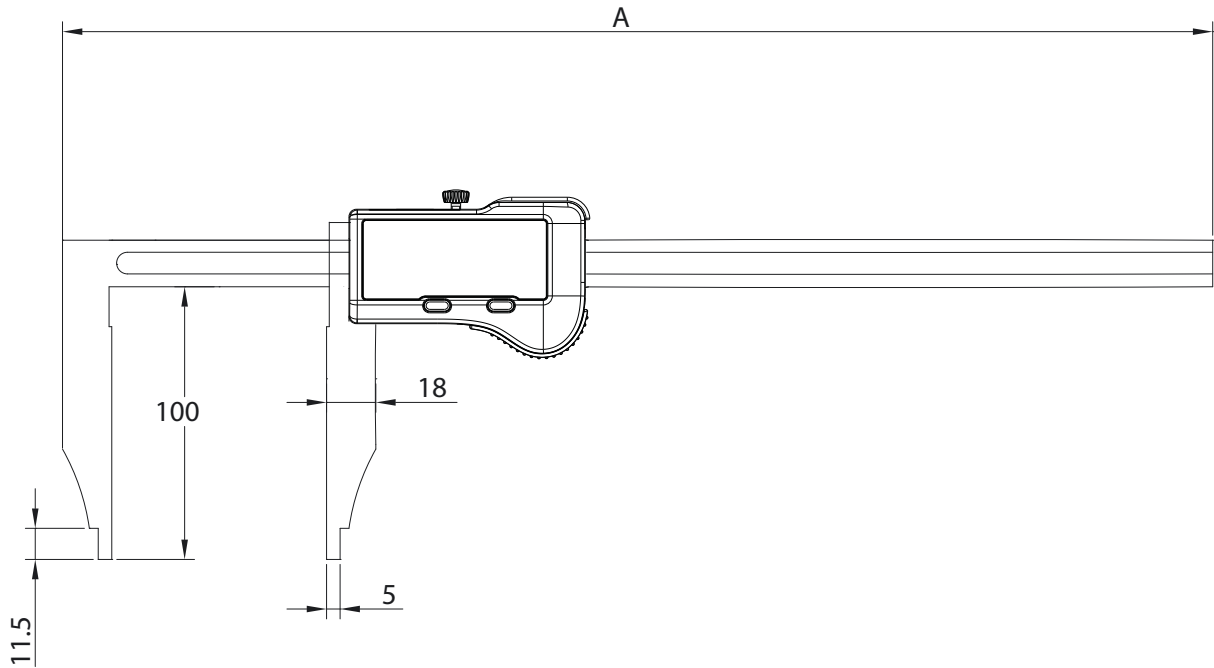


# Caliper mid size

# S\_Cal EVO Form E

## DIMENSIONAL DRAWING

## MID SIZE CALIPER R5



C

## TECHNICAL SPECIFICATIONS

		810-1546
Measuring range	mm	300
Accuracy	mm	0.03
Resolution	mm	0.01
A	mm	425
Bar section	mm	17x5
Protection rating according to IEC 60529		IP67
Output data		Bluetooth® wireless technology*
Functions		Zero setting, Preset (max 999.99), mm/inch, Hold, Data
Smart Inductive Sensor		●

**\* Up to 8 instruments connected per dongle #981-7100**



# Caliper mid size

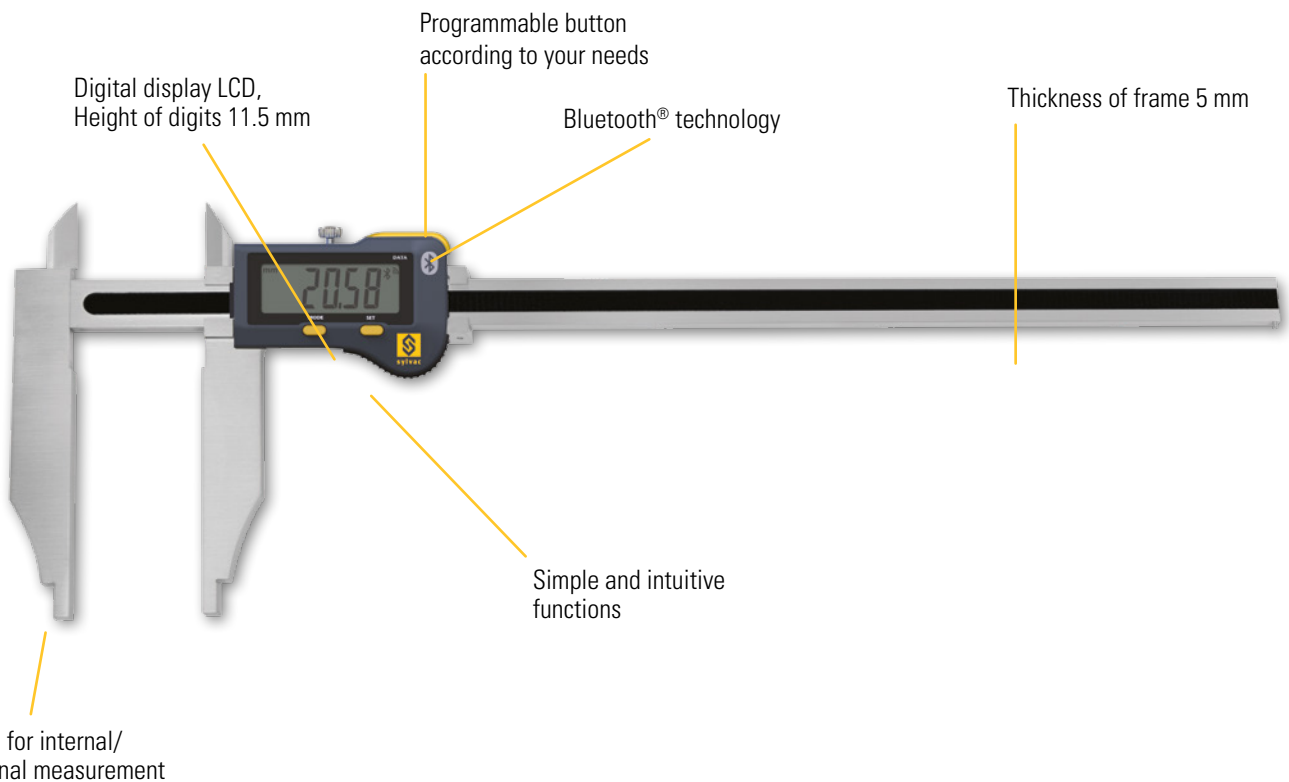
# S\_Cal EVO Form B

## DESCRIPTION

## MID SIZE CALIPER R5 WITH UPPER JAWS

- High-quality, ergonomic caliper with integrated Bluetooth® system
- Equipped with long 100 mm beaks free at the end for measuring both external and internal dimensions from 10.1 mm and small top beaks for measuring internal dimensions.
- Hardened and ground stainless steel rod 5 mm thick
- New extra-large display unit with 11.5 mm high digits
- Convenient push button for sending data that can also be programmed with another function
- Memorising the home position even when the instrument is switched off
- Measuring range 300 and 500 mm
- Protection class IP67

C



**ISO 13385-1**



## Mid size caliper with upper jaws



**IP67**

\* SIS description on page 5

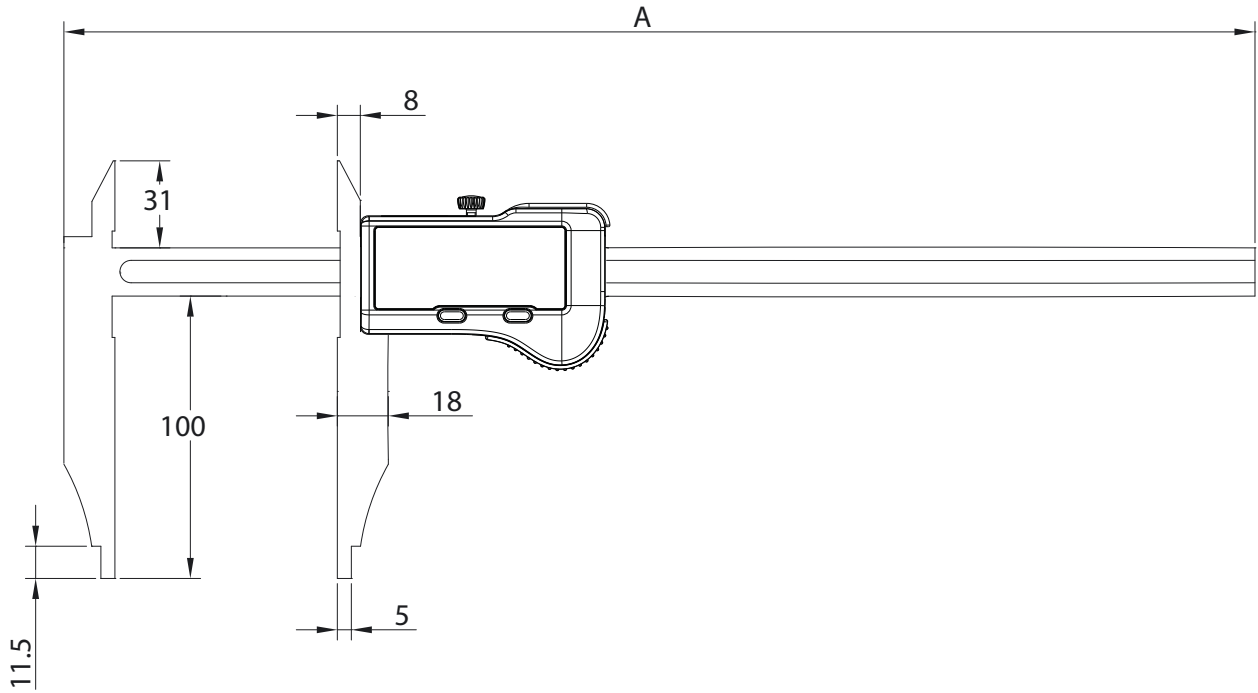


# Caliper mid size

# S\_Cal EVO Form B

## DIMENSIONAL DRAWING

## MID SIZE CALIPER R5 WITH UPPER JAWS



C

## TECHNICAL SPECIFICATIONS

		810-1556	810-1558
Measuring range	mm	300	500
Accuracy	mm	0.03	
Resolution	mm	0.01	
A	mm	425	525
Bar section	mm	17x5	
Protection rating according to IEC 60529		IP67	
Output data		Bluetooth® wireless technology*	
Functions		Zero setting, Preset (max 999.99), mm/inch, Hold, Data	
Smart Inductive Sensor		●	

\* Up to 8 instruments connected per dongle #981-7100



# Depth gauge

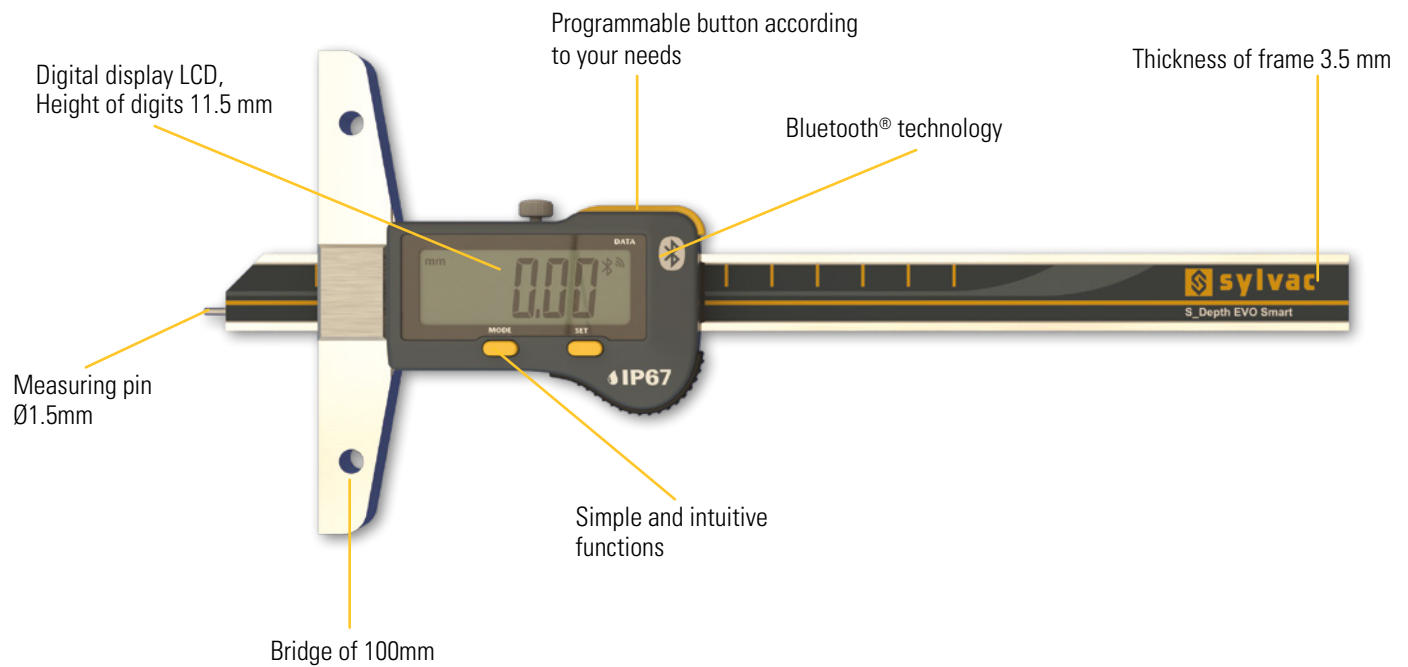
# S\_Depth EVO Smart

## DESCRIPTION

PIN Ø1.5

- High-quality, ergonomic depth gauge with integrated Bluetooth® system
- 100 mm wide bridge with holes for the attachment of an additional wider bridge
- Hardened steel measuring pin Ø 1.5 mm x 5 mm
- 3.5 mm thick hardened and ground stainless steel frame
- New extra-large display unit with 11.5 mm high digits
- Convenient push button for sending data that can also be programmed with another function
- Memorising the home position even when the instrument is switched off
- Measuring range 150, 200 and 300 mm
- Protection class IP67

C



## ISO 13385-2



## Measuring pin Ø1.5mm

\* SIS description on page 5

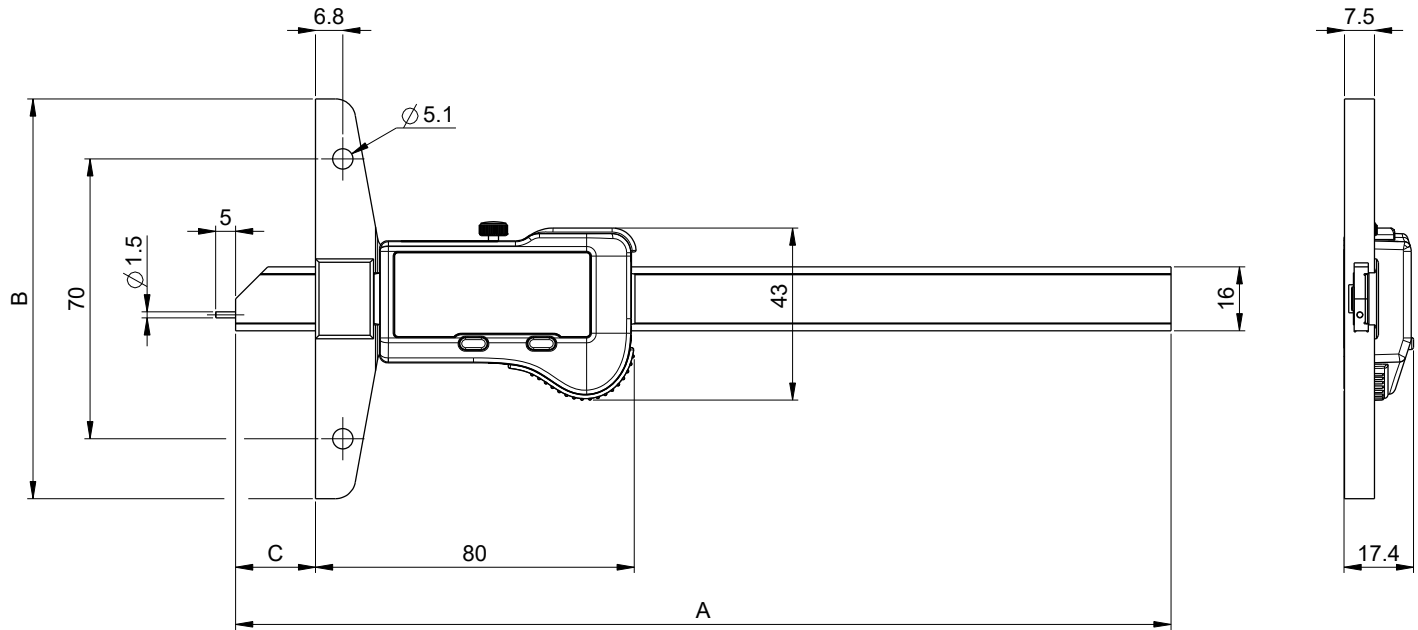


# Depth gauge

# S\_Depth EVO Smart

## DIMENSIONAL DRAWING

PIN Ø1.5



## TECHNICAL SPECIFICATIONS

		812-1506	812-1526	812-1536
Measuring range	mm	150	200	300
Max. Error	µm	20 <sup>1)</sup>	30	30
Resolution	mm		0.01	
A	mm	234	284	384
B - Bridge	mm		100	
C	mm	0-152	0-202	0-302
Frame	mm		16x3.5	
Output data		Bluetooth® wireless technology*		
Functions		Zero setting, Preset (max 999.99), mm/inch, Hold, Data		
Smart Inductive Sensor		●		

<sup>1)</sup> > 100 mm : 30 µm / ISO13385-2

\* Up to 8 instruments connected per dongle #981-7100





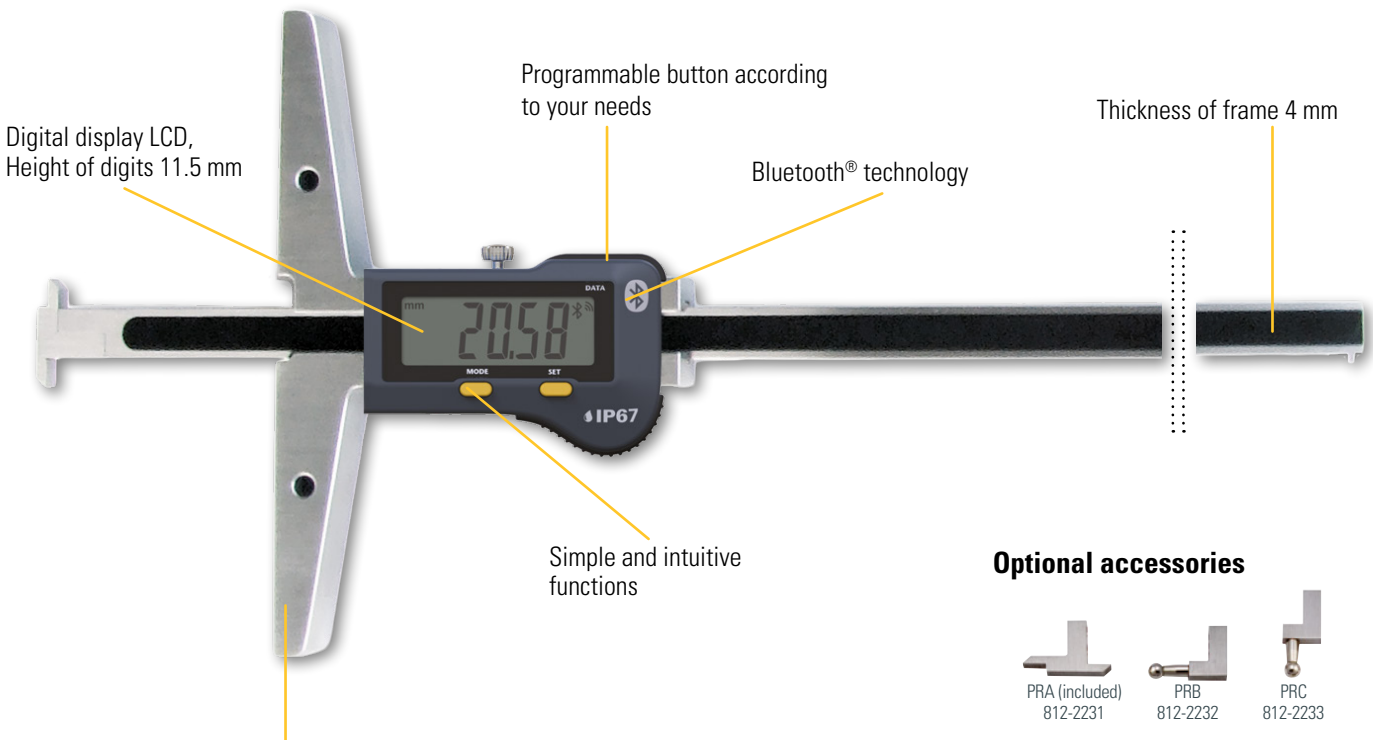
# Depth gauge

# S\_Depth EVO

## DESCRIPTION

## TWO FIXED MEASURING JAWS

- High-quality, ergonomic depth gauge with integrated Bluetooth® system
- 100 mm wide bridge with holes for the attachment of an additional wider bridge
- Interchangeable Up & Down measuring button
- Numerous other optional keys available for all kinds of measurements
- Hardened and ground stainless steel frame, thickness 4 mm
- New extra-large display unit with 11.5 mm high digits
- Convenient push button for sending data that can also be programmed with another function
- Memorising the home position even when the instrument is switched off
- Measuring range 300, 400 and 600 mm
- Protection class IP67



**ISO 13385-2** Bridge of 100mm



**IP67**

\* SIS description on page 5

### Optional accessories



## Interchangeable anvils

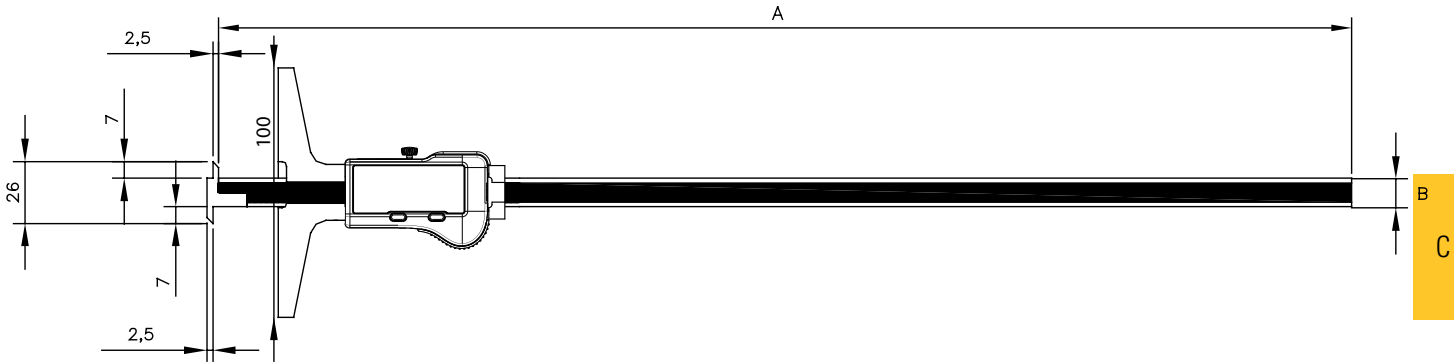


# Depth gauge

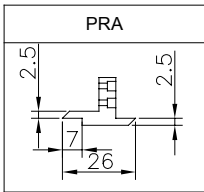
# S\_Depth EVO

## DIMENSIONAL DRAWING

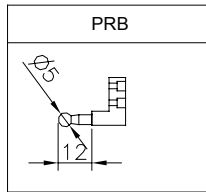
## TWO FIXED MEASURING JAWS



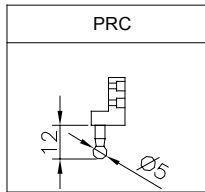
**812-2231/812-2237**



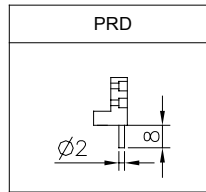
**812-2232**



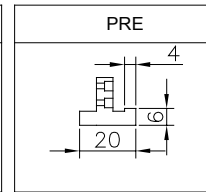
**812-2233**



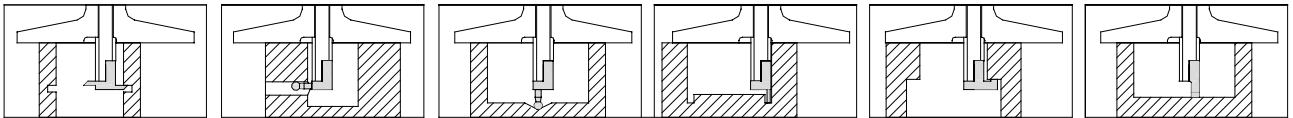
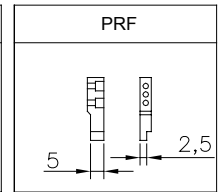
**812-2234**



**812-2235**



**812-2236**



## TECHNICAL SPECIFICATIONS

		812-1601	812-1603	812-1605
Measuring range	mm	200	300	500
Max. Error	µm	30	30	50
Resolution	mm	0.01		
A	mm	300	400	600
B	mm	12x4		
Output data		Bluetooth® wireless technology*		
Functions		Zero setting, Preset (max 999.99), mm/inch, Hold, Data		
Smart Inductive Sensor		●		

**\* Up to 8 instruments connected per dongle #981-7100**



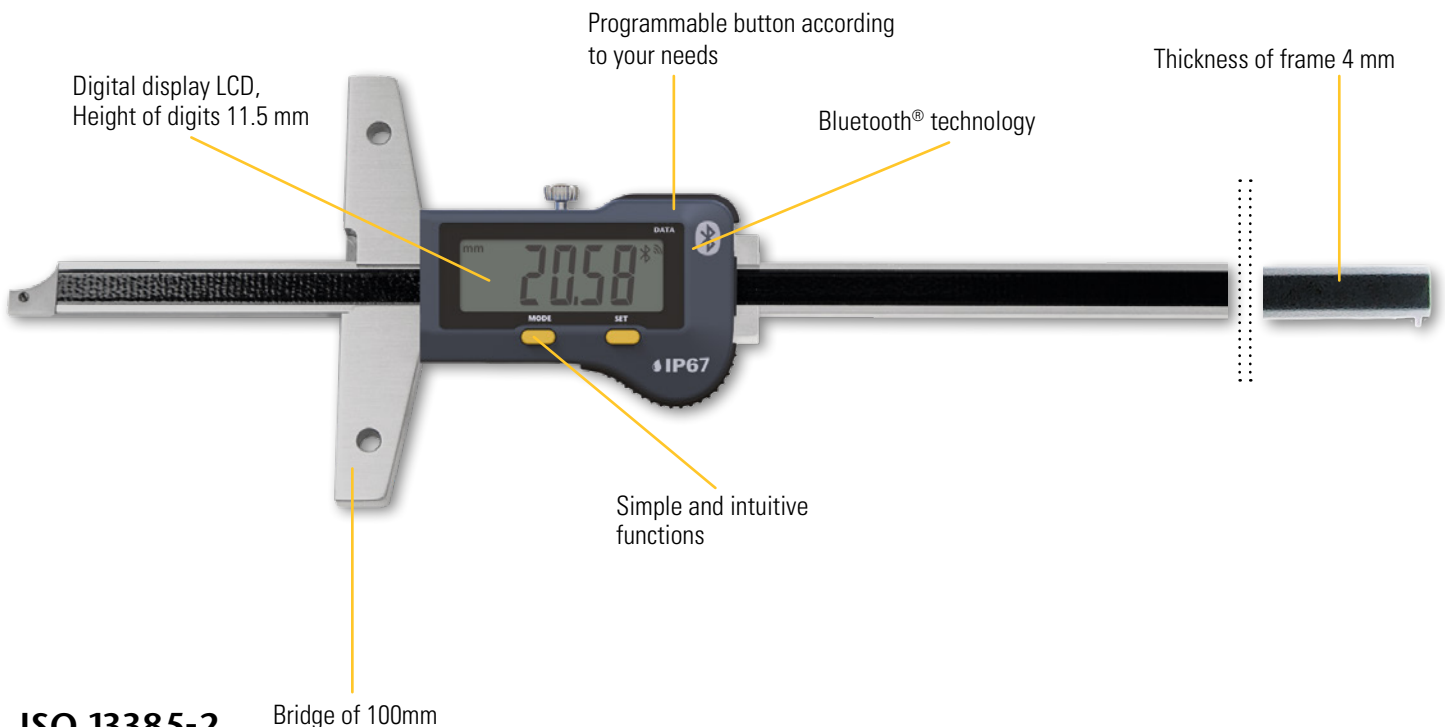
# Depth gauge

# S\_Depth EVO

## DESCRIPTION

## SHORTCUT MEASURING FACE

- High-quality, ergonomic depth gauge with integrated Bluetooth® system
- 100 mm wide bridge with holes for the attachment of an additional wider bridge
- Short measuring key 5 mm wide
- Hardened and ground stainless steel frame, thickness 4 mm
- New extra-large display unit with 11.5 mm high digits
- Convenient push button for sending data that can also be programmed with another function
- Memorising the home position even when the instrument is switched off
- Measuring range 300, 400 and 600 mm
- Protection class IP67



\* SIS description on page 5

## Bridge of 100mm with clamping screw

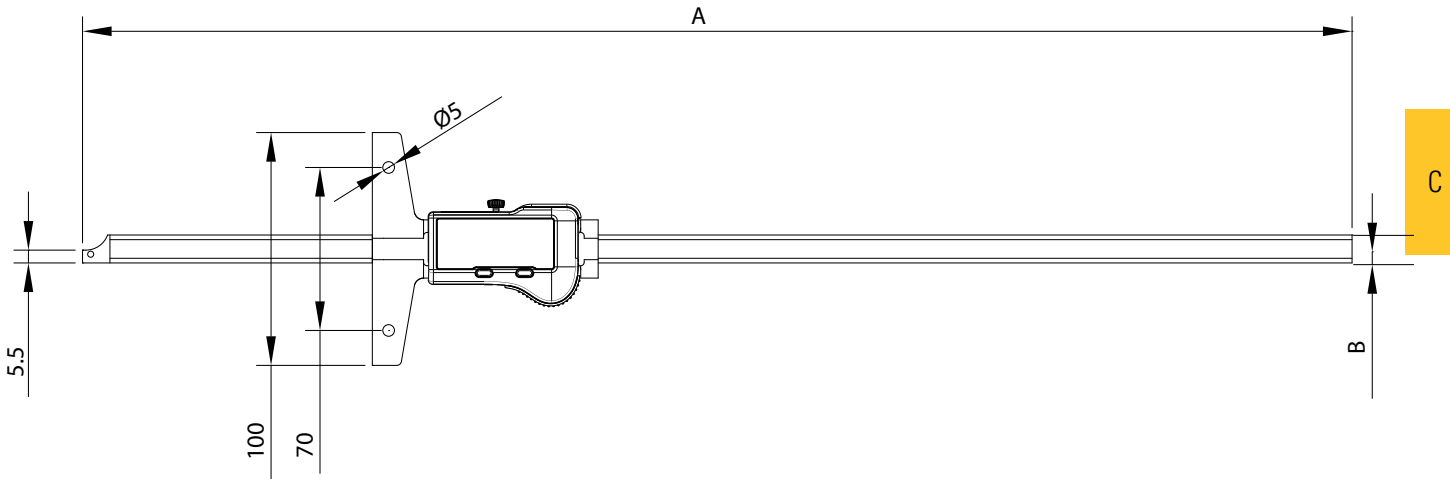


# Depth gauge

# S\_Depth EVO

## DIMENSIONAL DRAWING

## SHORTCUT MEASURING FACE



## TECHNICAL SPECIFICATIONS

		812-1611	812-1613	812-1615
Measuring range	mm	200	300	500
Max. Error	µm	30	30	50
Resolution	mm	0.01		
A	mm	300	400	600
B	mm	12x4		
Output data		Bluetooth® wireless technology*		
Functions		Zero setting, Preset (max 999.99), mm/inch, Hold, Data		
Smart Inductive Sensor		●		

**\* Up to 8 instruments connected per dongle #981-7100**



# Depth gauge

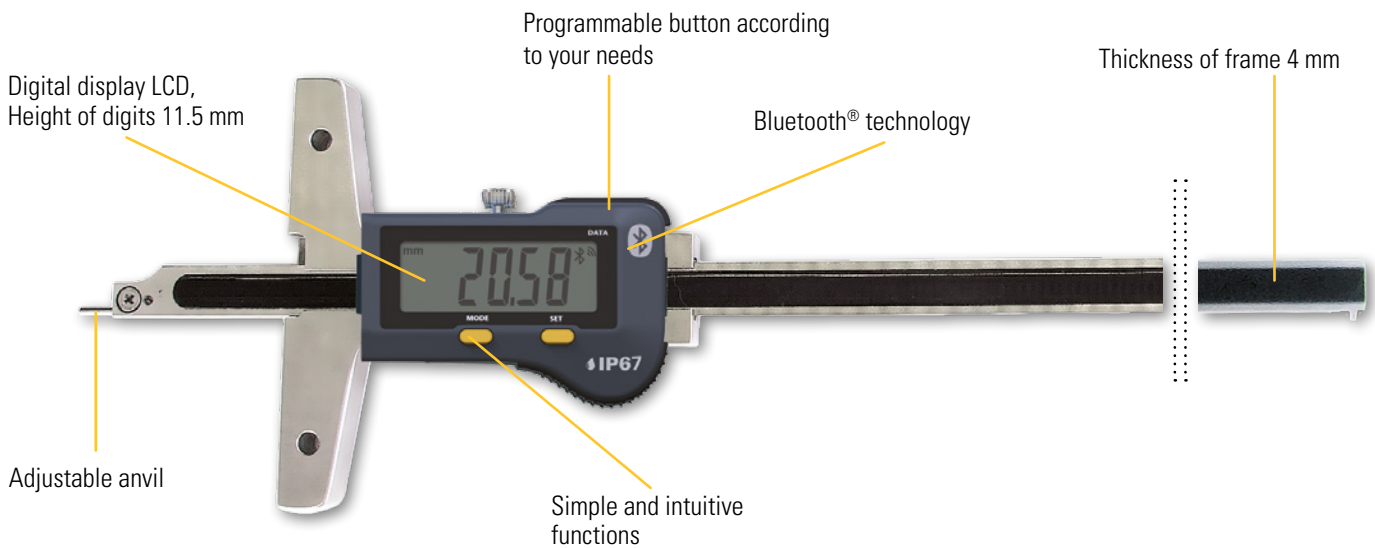
# S\_Depth EVO

## DESCRIPTION

## ROTARY PIN

- High-quality, ergonomic depth gauge with integrated Bluetooth® system
- 100 mm wide bridge with holes for the attachment of an additional wider bridge
- Measuring pin Ø 1.5 x 5 mm can be rotated and locked in the desired position by a clamping screw
- Hardened and ground stainless steel frame, thickness 4 mm
- New extra-large display unit with 11.5 mm high digits
- Convenient push button for sending data that can also be programmed with another function
- Memorising the home position even when the instrument is switched off
- Measuring range 300, 400 and 600 mm
- Protection class IP67

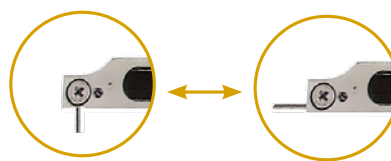
C



## ISO 13385-2



\* SIS description on page 5



**Adjustable anvil !**

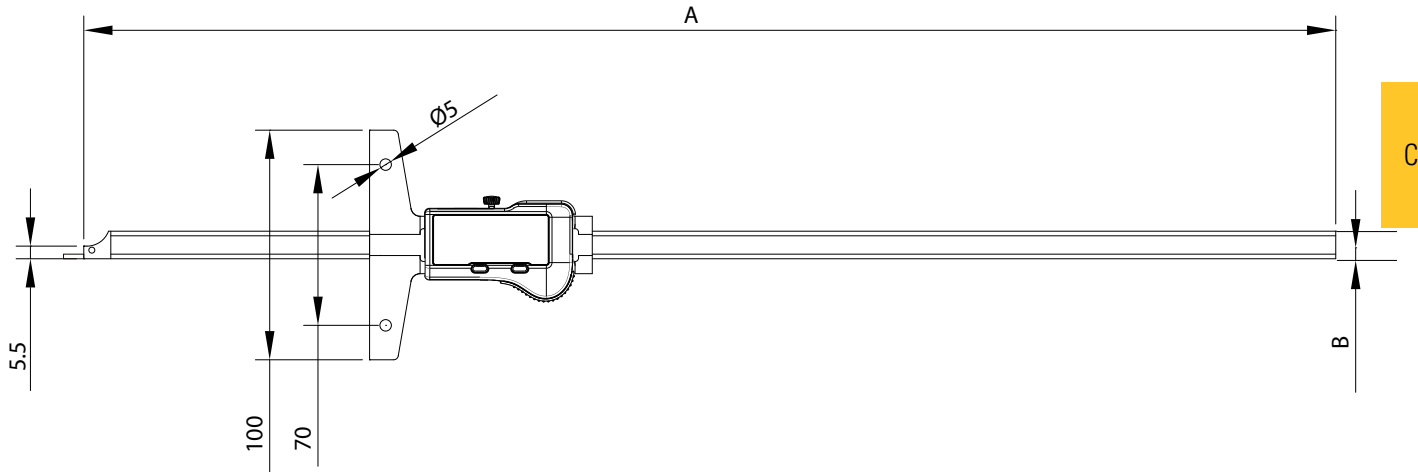


# Depth gauge

# S\_Depth EVO

DIMENSIONAL DRAWING

ROTARY PIN



## TECHNICAL SPECIFICATIONS

		812-1621	812-1623	812-1625
Measuring range	mm	200	300	500
Max. Error	µm	30	30	50
Resolution	mm	0.01		
A	mm	300	400	600
B	mm	12x4		
Output data		Bluetooth® wireless technology*		
Functions		Zero setting, Preset (max 999.99), mm/inch, Hold, Data		
Smart Inductive Sensor		●		

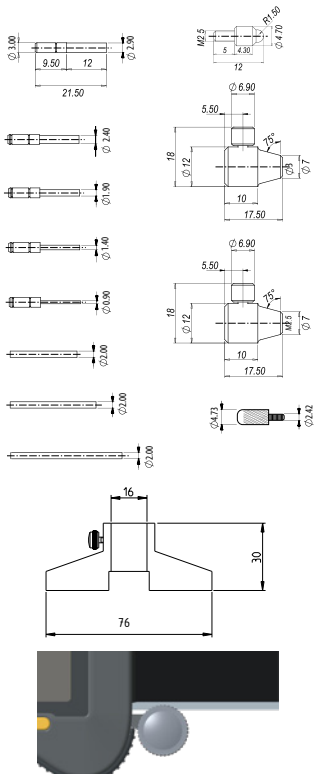
**\* Up to 8 instruments connected per dongle #981-7100**



# S\_Cal / S\_Depth

## ACCESSORIES FOR CALIPERS

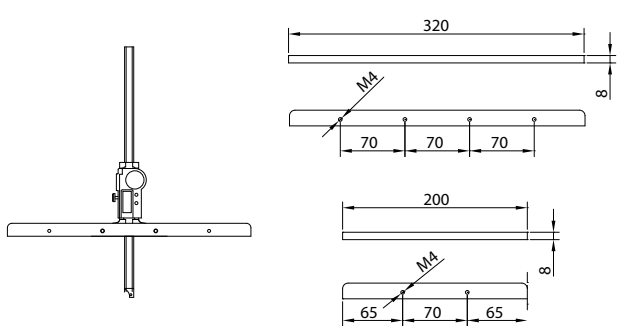
C



		S_Cal EVO Proximity S_Cal EVO Proximity $\mu\text{m}$	S_Cal EVO Basic	S_Cal EVO Smart S_Cal EVO Smart $\mu\text{m}$
<b>910-2207</b>	Accessory kit for S_Cal (12 pieces)	●	●	●
<b>910-2205</b>	Base for Depth Measurement	●	●	●
<b>810-2203</b>	Thumb wheel*			●
<b>810-2204</b>			●	
<b>810-2205</b>		●		

See also chapter cables.  
\* not for mid size models 810-1546, 810-1556, 810-1558

## ACCESSORIES FOR SPECIAL DEPTH CALIPER (TJ / SF / RP)



		Length	Thickness
<b>812-2240</b>	Additional base	320	8
<b>812-2241</b>	Additional base	200	8



# S\_Cal / S\_Depth

## STANDARD DELIVERY

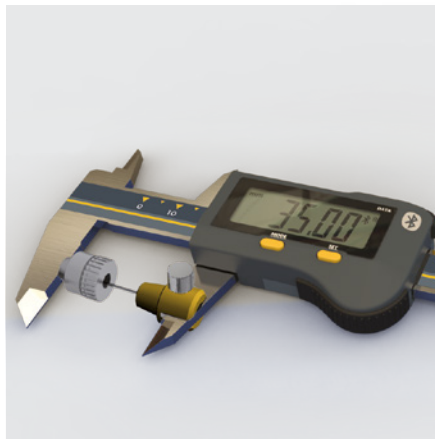
- Instrument according to technical specifications
- Lithium battery CR2032 included
- Instruction manual
- Calibration certificate (S\_Cal EVO  $\mu\text{m}$ )

## APPLICATIONS

C



Depth measurement with S\_Cal EVO and base 910-2205.



S\_Cal EVO Smart with kit 910-2207  
Depth measurement of small internal  $\emptyset$



S\_Cal EVO Standard measurement



Part measurement with S\_Cal  $\mu\text{m}$



Part measurement with sending data



Depth measurement with S\_Cal EVO

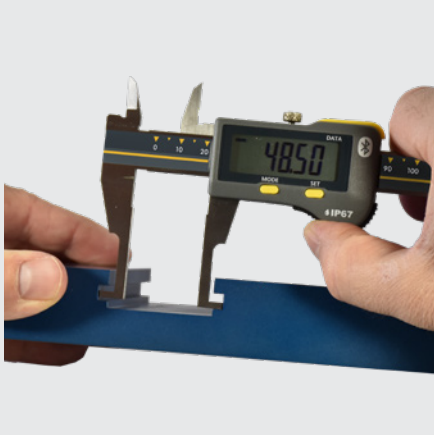




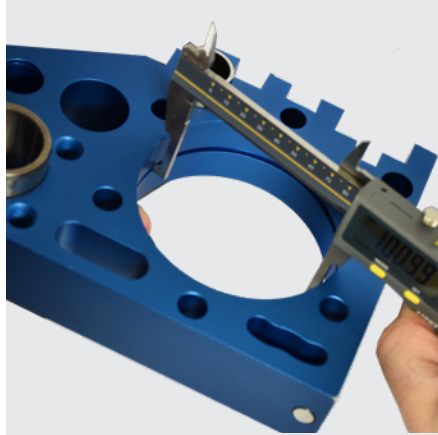
# Special S\_Cal & S\_Depth

## APPLICATIONS

C



Internal groove measurement with S\_Cal EVO Smart IG



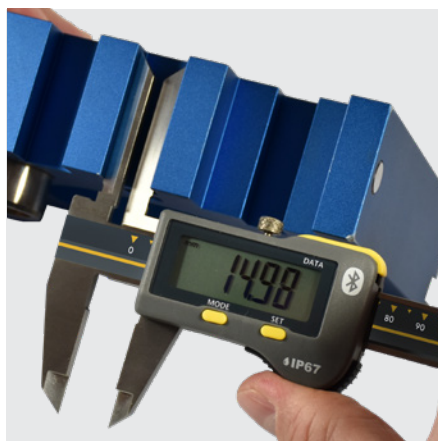
Internal groove measurement with S\_Cal EVO Smart IG



Internal measurement with S\_Cal EVO Smart PJ



Deep measurement with S\_Cal EVO Smart DM



Deep measurement with S\_Cal EVO Smart DM



External groove measurement with S\_Cal EVO Smart EG



External groove measurement with S\_Cal EVO Smart EG



External groove measurement with S\_Cal EVO Smart EG



S\_Depth EVO Smart TJ communicating with Sylvac Anywhere App on touchpad

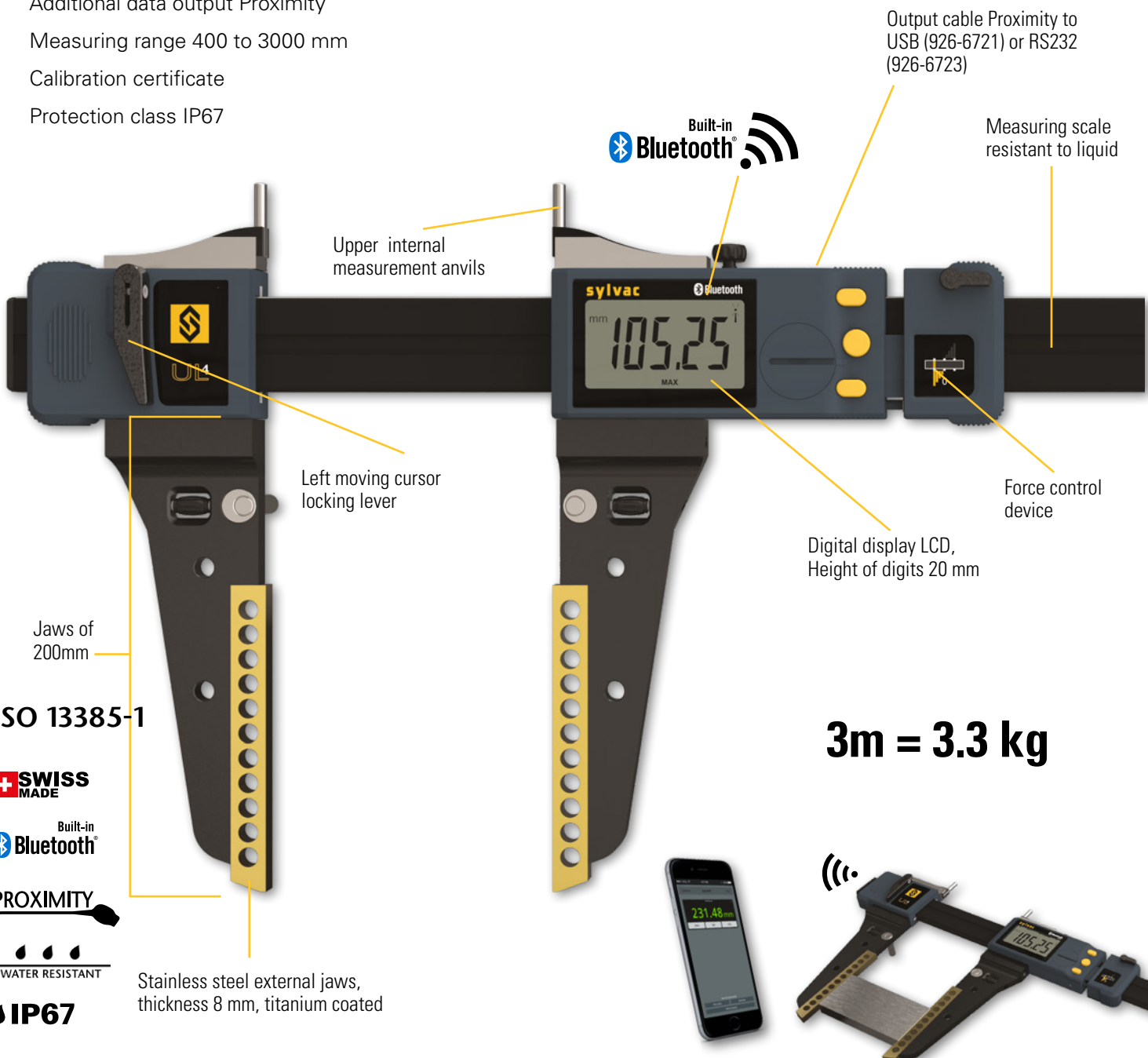


# Ultra light caliper

UL4

## DESCRIPTION

- Ultra-light, large callipers with integrated Bluetooth® system
- Frame made of special aluminium profile reinforced with 4 stainless steel guide rods
- New XXL display unit with digits 20 mm high
- Three buttons, including the central button with selectable favourite function
- Measuring force control device
- Long outer jaws 200 mm with measuring part made of hardened steel 124 x 8 mm coated with titanium nitride (TiN)
- On request, our UL4 callipers with jaws up to 400 mm long are available (please specify when ordering).
- Lever-lockable movable left jaw
- Removable upper studs with hardened metal pin Ø 5 mm for internal measurements
- Additional data output Proximity
- Measuring range 400 to 3000 mm
- Calibration certificate
- Protection class IP67



C

ISO 13385-1

**SWISS MADE**

Built-in Bluetooth

PROXIMITY

WATER RESISTANT

**IP67**

Stainless steel external jaws, thickness 8 mm, titanium coated

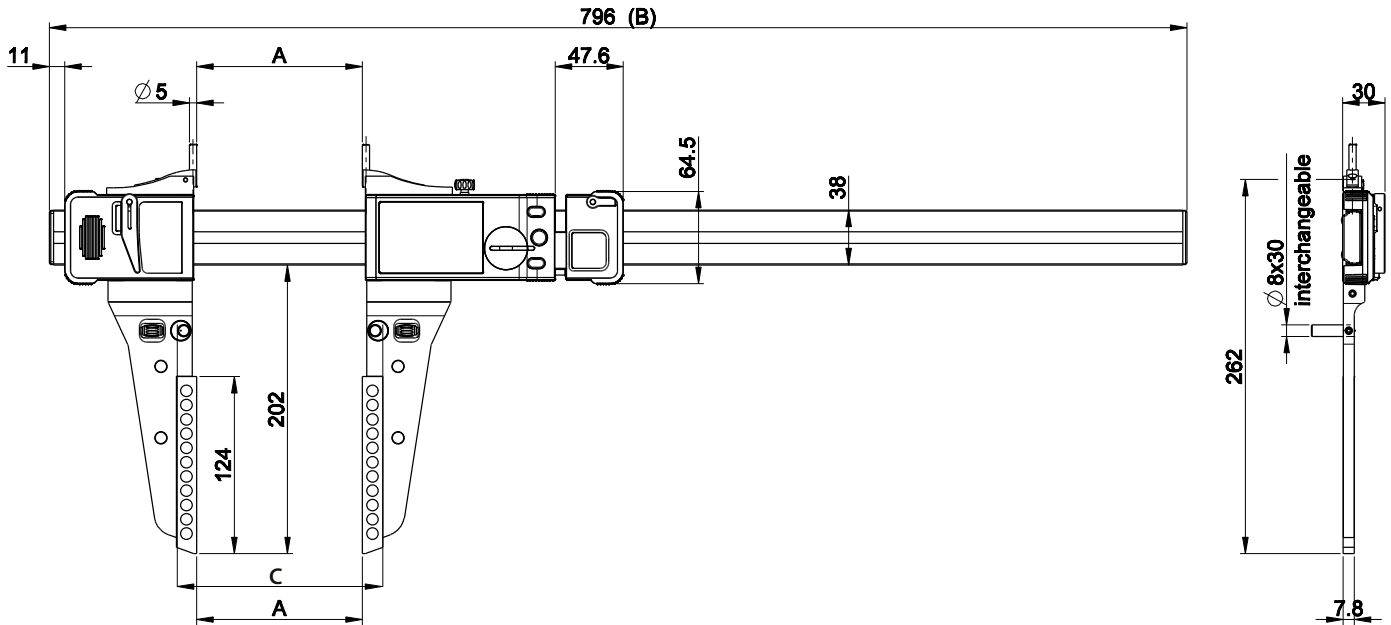
**3m = 3.3 kg**



# Ultra light caliper

# UL4

## DIMENSIONAL DRAWING



## TECHNICAL SPECIFICATIONS

		811-1404	811-1406	811-1410	811-1415	811-1420	811-1425	811-1430
Model	mm	400	600	1000	1500	2000	2500	3000
Max. Error	µm	30	40	50	90	120	150	200
Repeatability	µm	20			30			
Resolution	mm	0.01						
A	mm	0-478	0-683	0-1093	0-1608	0-2123	0-2638	0-3153
C	mm	27-505	27-710	27-1110	27-1635	27-2150	27-2665	27-3180
B	mm	796	1001	1411	1926	2441	2956	3471
Measuring Force	N	7.5 - 11.5 (±20%)						
Output data		Bluetooth® wireless technology* / RS232 / USB						
IP67 Protection		●						
Preset max.		±9999.99 mm / ±399.9995 IN						
Weight	kg	1.5	1.6	1.9	2.3	2.6	2.9	3.3
Setting by PC		●						
2 references		●						
Min/Max function		●						
Tolerance limit indicators		●						

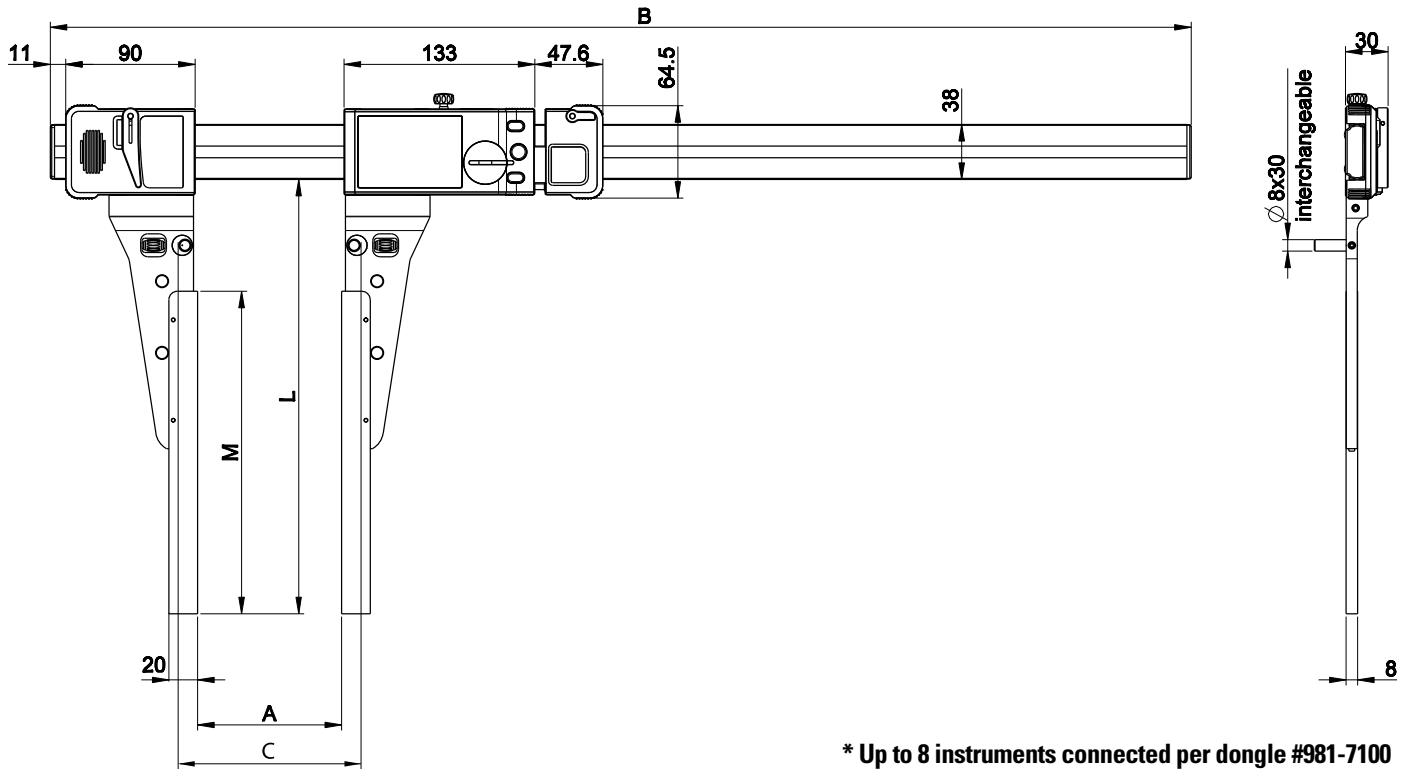
\* Up to 8 instruments connected per dongle #981-7100



# Ultra light caliper

UL4

SPECIAL EXECUTIONS | SPECIAL JAWS TYPE A



\* Up to 8 instruments connected per dongle #981-7100  
More informations on How to use Bluetooth® leaflet SYL\_1401\_EN\_BT

## TECHNICAL SPECIFICATIONS

		811-2316-99	811-2317-99
<b>Special jaws (pair)</b>		Length L to specify with order (max 400 mm)	
L	mm	≤ 300	≤ 400
M	mm	L - 75	

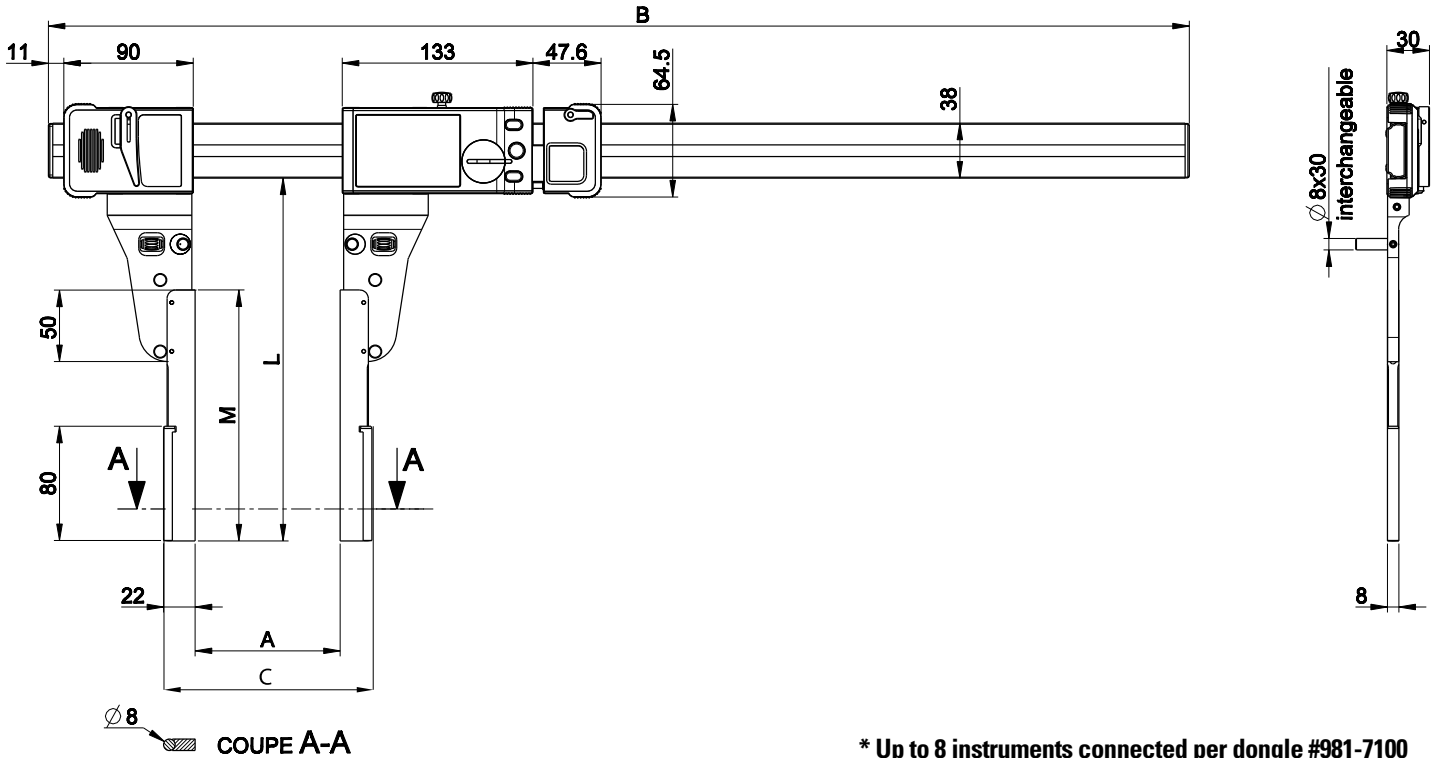
		UL 400	UL 600	UL 1000	UL 1500	UL 2000	UL 2500	UL 3000
<b>UL specification</b>		<b>Max. error. [µm] / Repeatability [µm]</b>						
With Jaws 811-2316-99		40/20	50/20	70/20	130/30	180/40	220/40	320/40
With Jaws 811-2317-99		70/40	80/40	120/40	200/50	300/60	400/70	500/80
Measuring range	mm	400	600	1000	1500	2000	2500	3000
A	mm	0-478	0-683	0-1093	0-1608	0-2123	0-2638	0-3153
C	mm	27-505	27-710	27-1110	27-1635	27-2150	27-2665	27-3180
B	mm	796	1001	1411	1926	2441	2956	3471
Resolution	mm	0.01						



# Ultra light caliper

UL4

SPECIAL EXECUTIONS | SPECIAL JAWS TYPE C



\* Up to 8 instruments connected per dongle #981-7100

## TECHNICAL SPECIFICATIONS

			811-2319-99
<b>Special jaws (pair)</b>			Lenght L to specify with order (max 300 mm)
L max	mm		300
M	mm		L - 75

		UL 400	UL 600	UL 1000	UL 1500	UL 2000	UL 2500	UL 3000
<b>UL specification</b>		<b>Max. error. [µm] / Repeatability [µm]</b>						
With Jaws ≤ 200	mm	40/20	50/20	70/30	120/30	170/30	210/30	300/40
With Jaws ≤ 300	mm	50/30	60/30	90/30	150/30	200/40	300/40	400/50
Measuring range	mm	400	600	1000	1500	2000	2500	3000
A	mm	0-478	0-683	0-1093	0-1608	0-2123	0-2638	0-3153
C	mm	44-522	44-727	44-1137	44-1652	44-2167	44-2682	44-3197
B	mm	796	1001	1411	1926	2441	2956	3471
Resolution	mm	0.01						



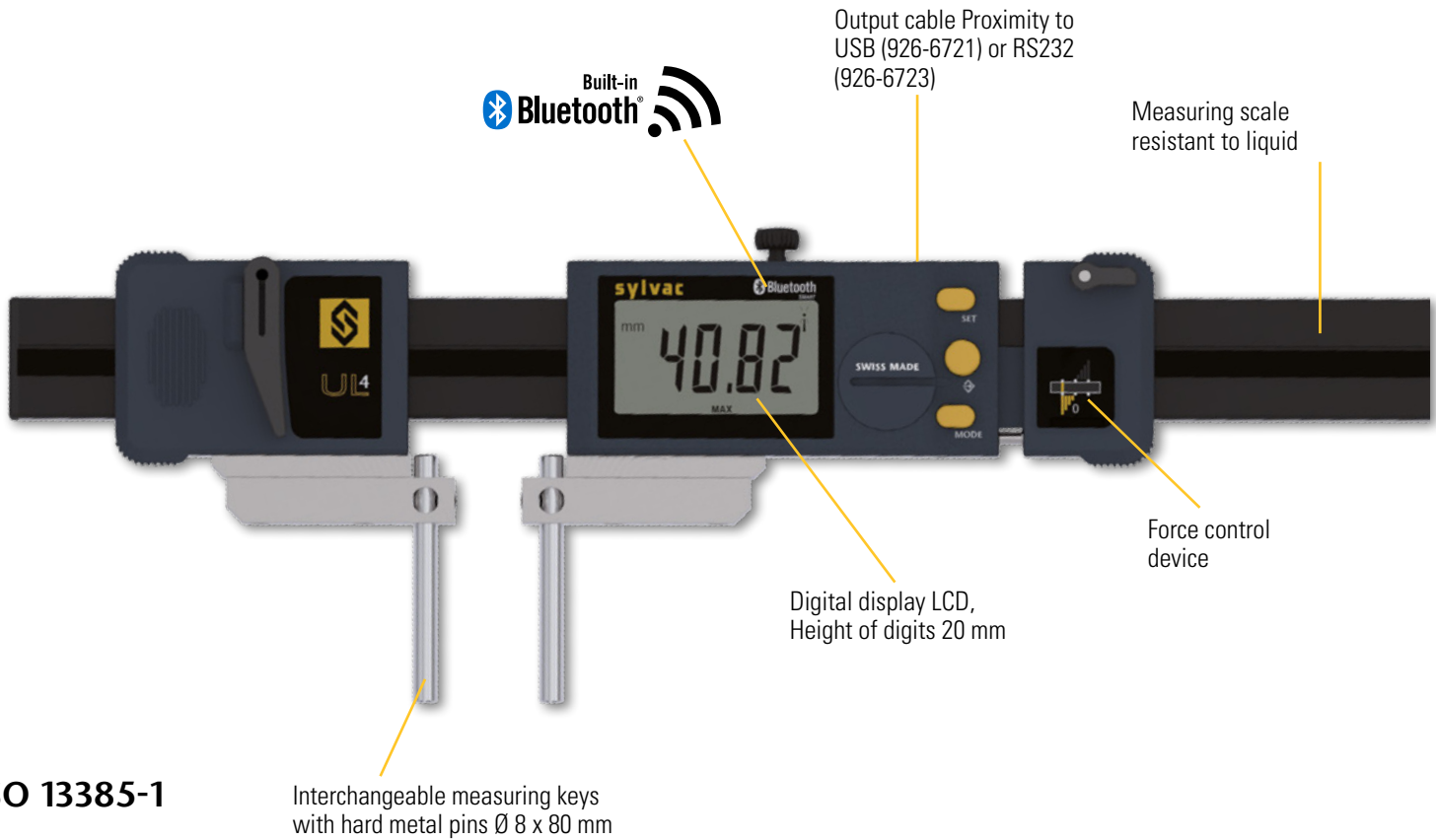
# Ultra light caliper

ULH4

## DESCRIPTION

- Ultra-light, large universal instrument with integrated Bluetooth® system
- Frame made of special aluminium profile reinforced with 4 stainless steel guide rods
- New XXL display unit with digits 20 mm high
- Three buttons, including the central button with selectable favourite function
- Measuring force control device
- Supplied with interchangeable measuring keys with hard metal pins Ø 8 x 80 mm
- Numerous other measuring keys available as options
- Lever-lockable movable left jaw
- Additional data output Proximity
- Measuring range 400 to 3000 mm
- Protection class IP67

C



ISO 13385-1

**SWISS MADE**

Built-in Bluetooth®

PROXIMITY

WATER RESISTANT

**IP67**

## Interchangeable keys

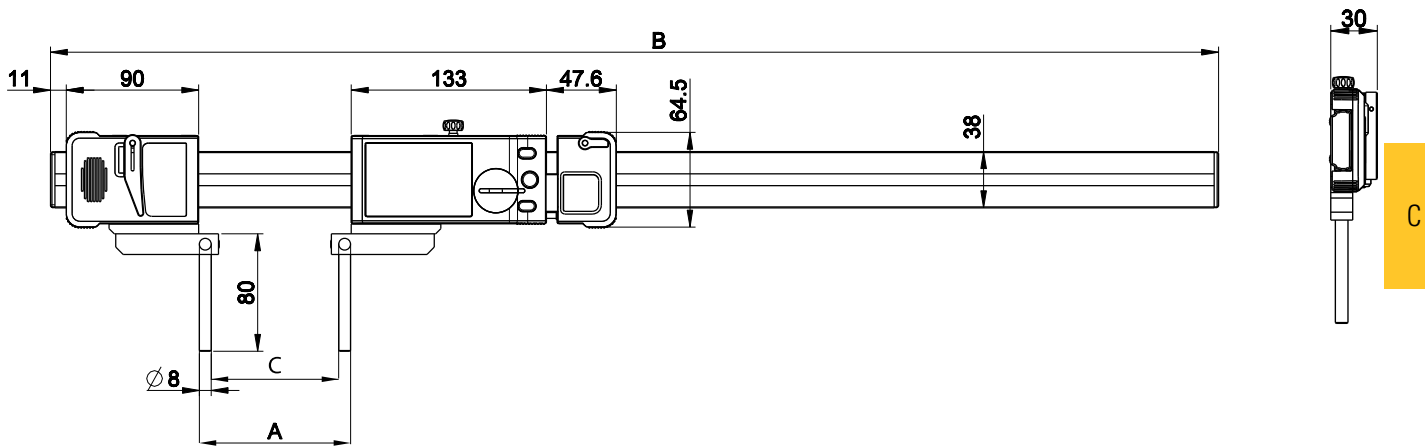




# Ultra light caliper

# UL H4

## DIMENSIONAL DRAWING



## TECHNICAL SPECIFICATIONS

		811-8040	811-8060	811-8100	811-8150	811-8200	811-8250	811-8300	
Model	mm	400	600	1000	1500	2000	2500	3000	
Max. Error	µm	30	40	50	90	120	150	200	
Repeatability	µm	20				30			
Resolution	mm	0.01							
A	mm	26-480	26-685	26-1095	26-1610	26-2125	26-2640	26-3155	
C	mm	10-464	10-669	10-1079	10-1594	10-2109	10-2624	10-3139	
B	mm	796	1001	1411	1926	2441	2956	3471	
Measuring Force	N	7.5 - 11.5 (±20%)							
Output data		Bluetooth® wireless technology* / RS232 / USB							
IP67 Protection		●							
Preset max.		±9999.99 mm / ±399.9995 IN							
Weight	kg	1.1	1.2	1.5	1.9	2.2	2.5	2.9	
Setting by PC		●							
2 references		●							
Min/Max function		●							
Tolerance limit indicators		●							

\* Up to 8 instruments connected per dongle #981-7100



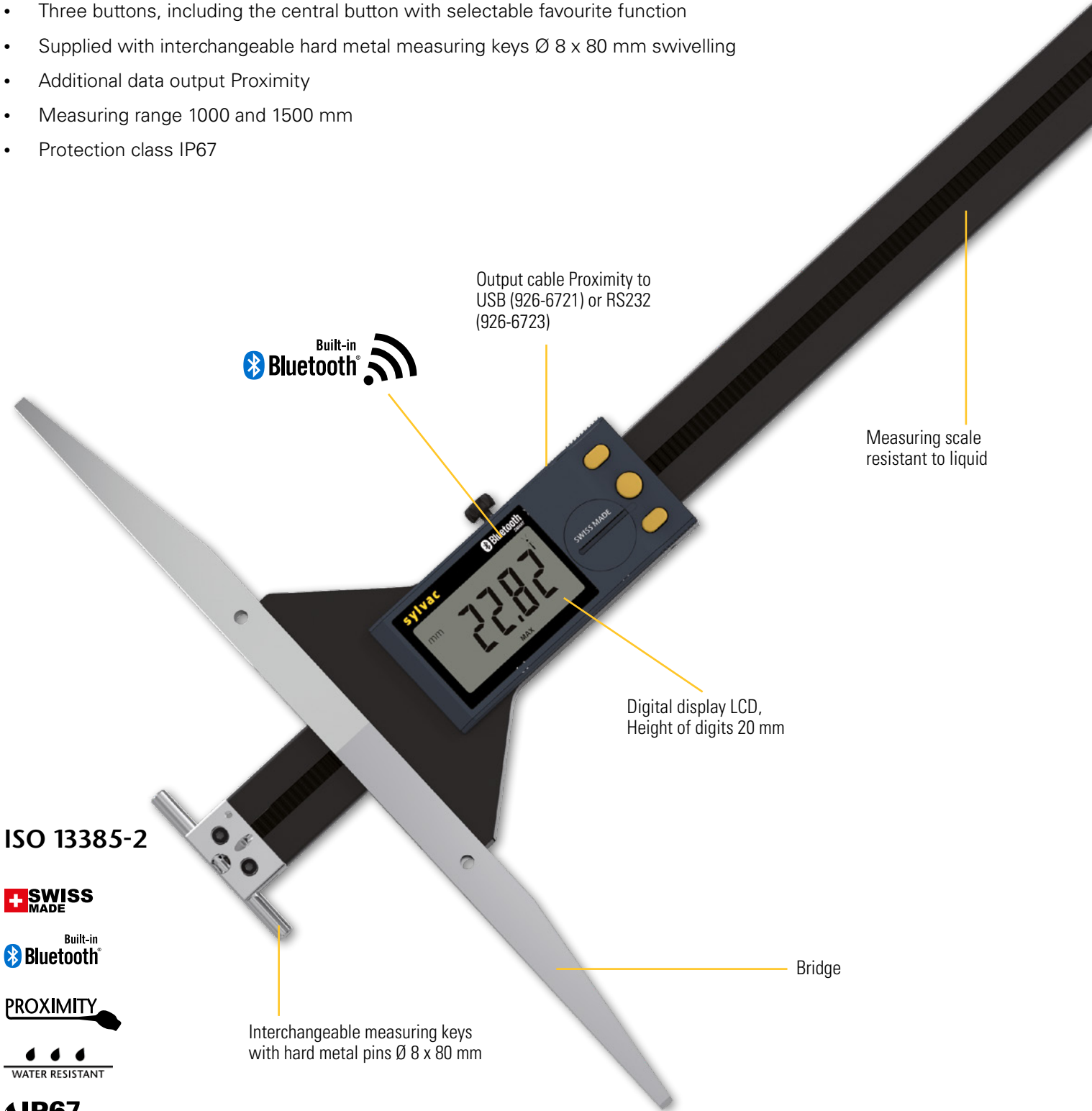
# Ultra light depth gauge

# UL V4

## DESCRIPTION

- Large, ultra-lightweight depth gauge with integrated Bluetooth® system
- Frame made of special aluminium profile reinforced with 4 stainless steel guide rods
- Bridge width 400/600 mm with holes for the attachment of an additional wider bridge
- New XXL display unit with digits 20 mm high
- Three buttons, including the central button with selectable favourite function
- Supplied with interchangeable hard metal measuring keys Ø 8 x 80 mm swivelling
- Additional data output Proximity
- Measuring range 1000 and 1500 mm
- Protection class IP67

C



Output cable Proximity to USB (926-6721) or RS232 (926-6723)

Built-in Bluetooth

Measuring scale resistant to liquid

Digital display LCD, Height of digits 20 mm

ISO 13385-2

SWISS MADE

Built-in Bluetooth

PROXIMITY

WATER RESISTANT

IP67

Interchangeable measuring keys with hard metal pins Ø 8 x 80 mm

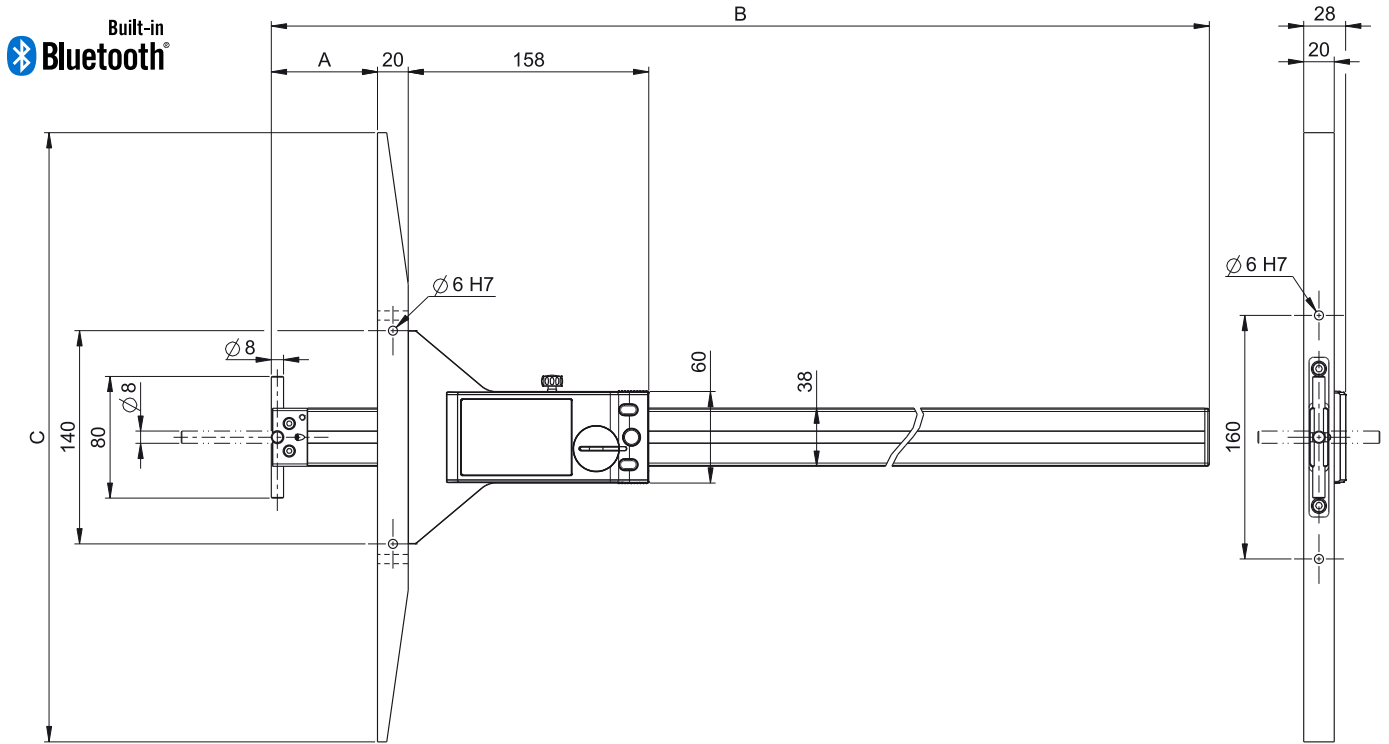
Bridge



# Ultra light depth gauge

# UL V4

## DIMENSIONAL DRAWING



## TECHNICAL SPECIFICATIONS

		811-6100	811-6150
Model	mm	1000	1500
Max.Error	µm	100	130
Repeatability	µm	20	
Resolution	mm	0.01	
A	mm	0 - 1030	0 - 1545
C	mm	400	600
B	mm	1242	1757
Output data		Bluetooth® wireless technology* / RS232 / USB	
IP67 Protection		●	
Preset max.		±9999.99 mm / ±399.9995 IN	
Weight	kg	2.2	3.16
Setting by PC		●	
2 references		●	
Min/Max function		●	
Tolerance limit indicators		●	

\* Up to 8 instruments connected per dongle #981-7100

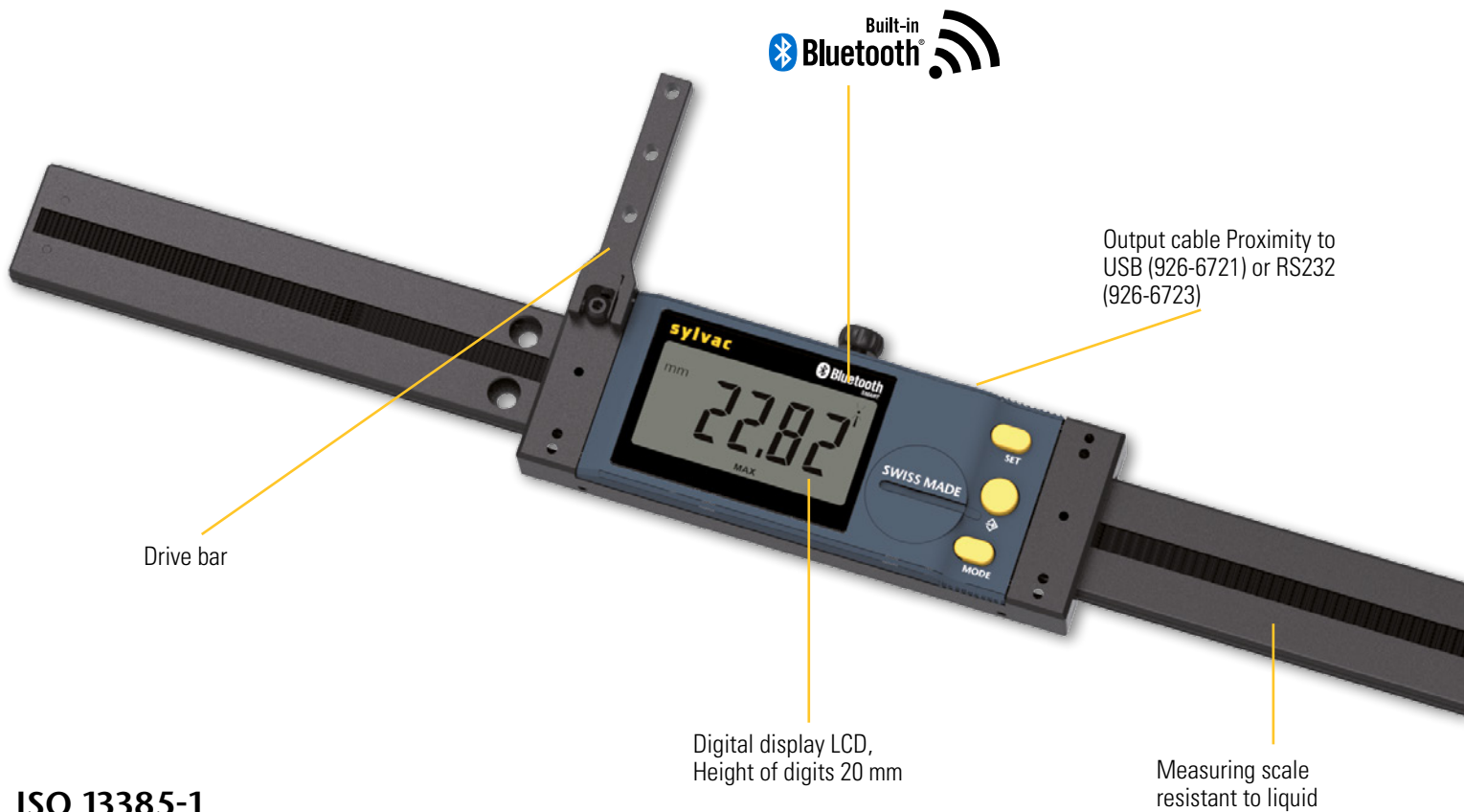
# Ultra light digital scale

# UL D4

## DESCRIPTION

- Ultra-light, large linear ruler with integrated Bluetooth® system
- Frame made of special aluminium profile reinforced with 4 stainless steel guide rods with fixing holes
- New XXL display unit with digits 20 mm high
- Three buttons, including the central button with selectable favourite function
- Supplied with a drive bar that can be positioned at the top or bottom of the display.
- Additional data output Proximity
- Measuring range 1000 and 3000 mm
- On request, several rulers can be joined together to increase the measuring range.
- Protection class IP67

C



**ISO 13385-1**

**SWISS MADE**

Built-in **Bluetooth**

**PROXIMITY**

**WATER RESISTANT**

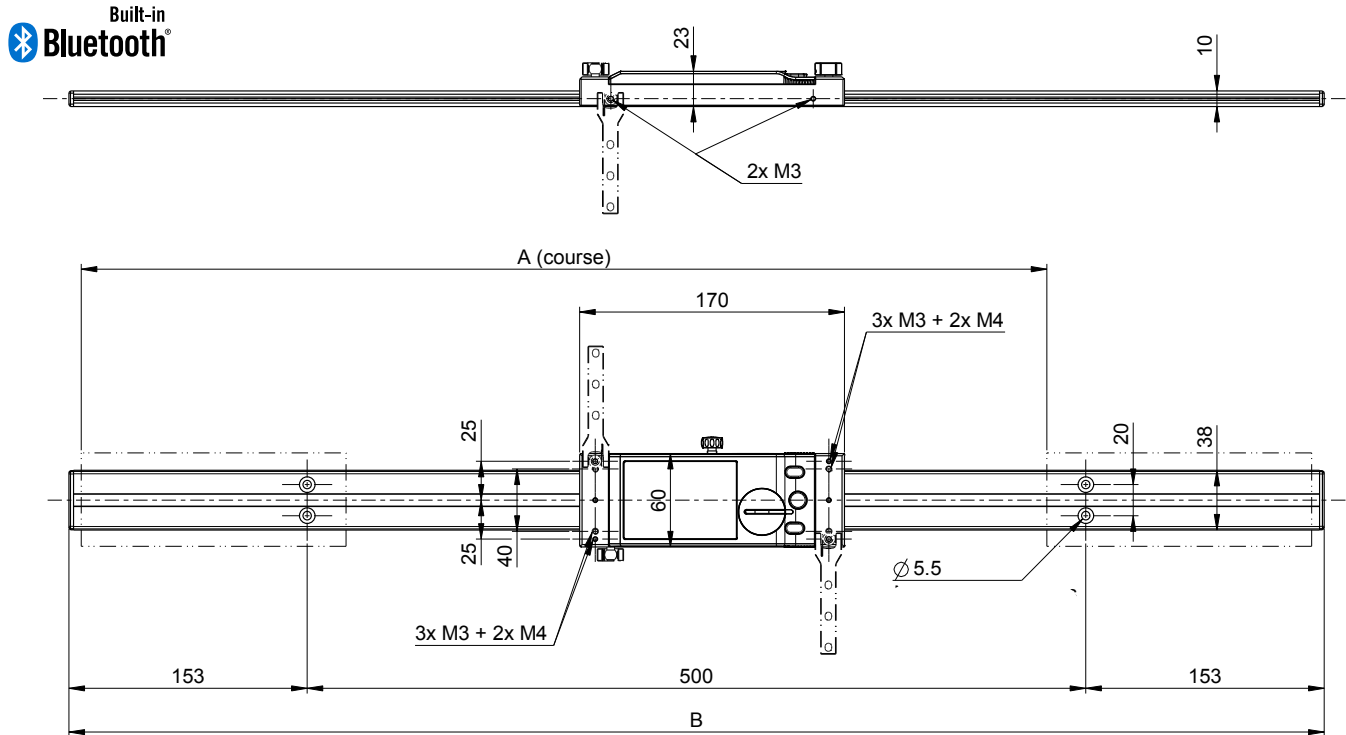
**IP67**



# Ultra light digital scale

# UL D4

## DIMENSIONAL DRAWING



## TECHNICAL SPECIFICATIONS

		814-1510	814-1515	814-1520	814-1525	814-1530
Model	mm	1000	1500	2000	2500	3000
Max. Error	µm	60	90	120	150	200
Repeatability	µm	20				
Resolution	mm	0.01				
A	mm	0 - 1120	0 - 1620	0 - 2120	0 - 2620	0 - 3120
B	mm	1306	1806	2306	2806	3306
Number range of raws		3	4	5	6	7
Output data		Bluetooth® wireless technology* / RS232 / USB				
IP67 Protection		●				
Preset max.		±9999.99 mm / ±399.9995 IN				
Weight	kg	1.2	1.5	1.8	2.2	2.5
Setting by PC		●				
2 references		●				
Min/Max function		●				
Tolerance limit indicators		●				

\* Up to 8 instruments connected per dongle #981-7100

# Ultra light caliper

UL4

STANDARD DELIVERY



### UL4 Standard

- Instrument according to technical specifications
- Lithium battery CR2477 included
- Calibration certificate for UL up to 3000mm
- Upper internal measurement anvil (811-2323 - 2pcs)
- Universal base 811-2301
- Instruction manual



### UL4 Special Jaws Type A

- Instrument according to technical specifications
- Lithium battery CR2477 included
- Special long jaws Type A (811-2316-99 or 811-2317-99)
- Length of jaws to specify when order (max. 400mm)
- Instruction manual



### UL4 Special Jaws Type C

- Instrument according to technical specifications
- Lithium battery CR2477 included
- Special long jaws Type C (811-2319-99)
- Length of jaws to specify when order (max. 300mm)
- Instruction manual



# Ultra light caliper

STANDARD DELIVERY



## ULH4

- Instrument according to technical specifications
- Lithium battery CR2477 included
- Calibration certificate for UL up to 3000mm
- Universal base 811-2301
- Anvil holder 811-2302
- Long cylindrical anvil  $\varnothing 8 \times 80$ mm (811-2324)
- Instruction manual



## ULV4

- Instrument according to technical specifications
- Lithium battery CR2477 included
- Long cylindrical anvil  $\varnothing 8 \times 80$ mm (811-2324)
- Bridge 400mm or 600mm
- Instruction manual



## ULD4

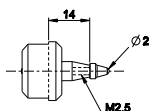
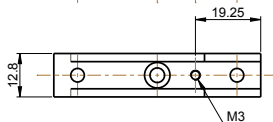
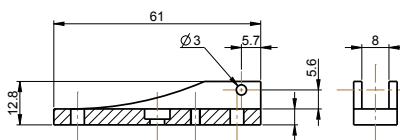
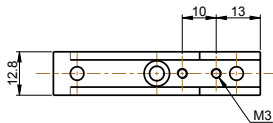
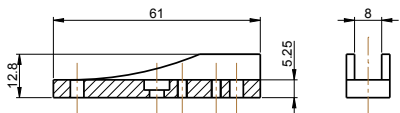
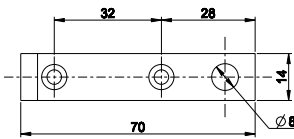
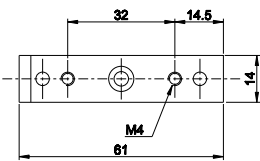
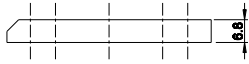
- Instrument according to technical specifications
- Lithium battery CR2477 included
- Driving shaft
- Instruction manual



# Ultra light caliper

## ACCESSORIES

C



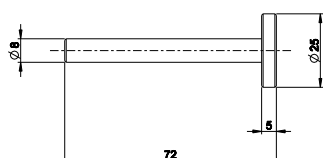
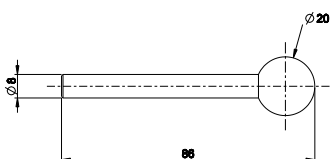
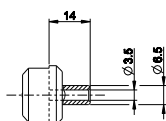
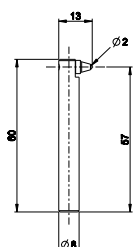
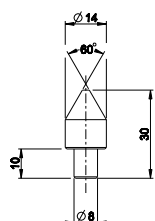
		UL4	ULH4	ULV4	ULD4
<b>811-2301</b>	Universal base (2 pieces)	●	●		
<b>811-2302</b>	Ø8 Anvil holder (2 pieces, to combine with 811-2301)	●	●		
<b>811-2303</b>	Accessories holder (2 different pieces)	●	●		
<b>811-2305</b>	Support with int. thread M 2.5 (2 pieces)	●			

See also cables chapter



# Ultra light caliper

## ACCESSORIES



		UL4	UL H4	ULV4	UL D4
<b>811-2307</b>	Inserts in hardened steel, cone 60° for bore clearance measurement > 10 mm, (2 pieces)	●	●		
<b>811-2309</b>	Holder for dial gauge contact points for internal groove measurement, (2 pieces)	●	●		
<b>811-2304</b>	Thread anvils holders (2 pieces)	●			
<b>811-2310</b>	Anvil Ø10mm (2 pieces)	●	●		
<b>811-2311</b>	Anvil Ø20mm (2 pieces)	●	●		
<b>811-2312</b>	Anvil Ø25x5mm (2 pieces)	●	●		
<b>811-6306</b>	Wooden box for UL4 400 and 600mm	●	●		
<b>811-6310</b>	Wooden box for UL4 1000mm	●	●		
<b>811-6315</b>	Wooden box for UL4 1500mm	●	●		

C

See also cables chapter